

**NEW**

# ADVANCE™ BI-FOLD DOOR MAGNETS



**SELF-ALIGNING PIVOT TECHNOLOGY PATENT PENDING  
& POWERFUL N52 MAGNETIC STRENGTH**

FOR

**100% FACE-TO-FACE CONTACT & A SECURE HOLD**

---

Progressive Hardware. Forward-Thinking Technology.  
for the Aluminium sector

Hardware that starts with **you.**

 **MILA**

# ADVANCE™ MAGNETS

FOR ALUMINIUM BI-FOLD DOORS.



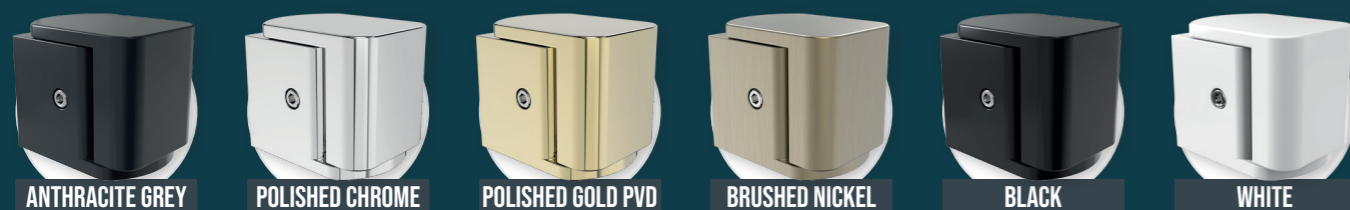
Small but mighty, the ADVANCE™ magnet range for Aluminium bi-fold doors from Mila have been designed with a difference.

Unique pivot technology, patent pending, enables these innovative self-aligning magnets move through 30° to achieve full face-to-face contact. Combined with high quality N52 magnetic power, ADVANCE™ magnets provide a secure hold between heavy bi-fold doors, even in blustery conditions.

ADVANCE™ magnets have been tested to BSEN 1670 for weather resistance and are backed with a 10 year surface finish and mechanical operation guarantee.

The range includes magnets for both main and intermediate doors which are available in 6 suited finishes.

## 6 FINISHES MAIN DOOR MAGNETS



ANTHRACITE GREY

POLISHED CHROME

POLISHED GOLD PVD

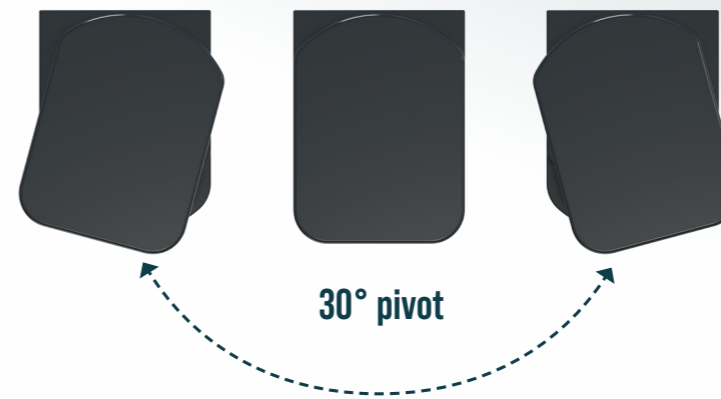
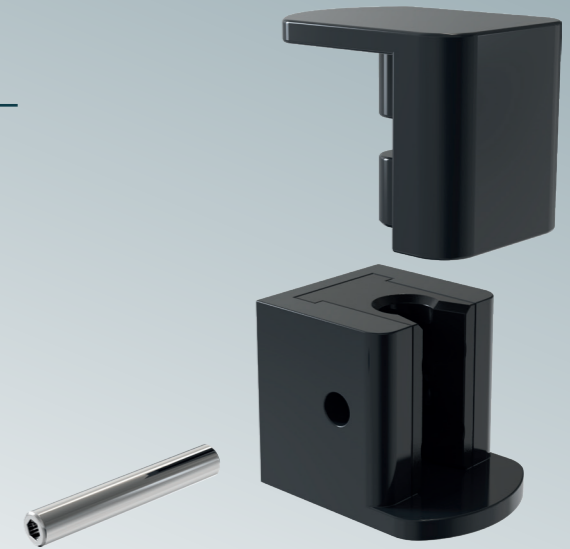
BRUSHED NICKEL

BLACK

WHITE

## EASY INSTALLATION

Simply fix the base unit to the profile, slide the magnet into place & secure with the grub screw with a 2mm Allen key.



30° pivot

## FREE-MOVING & SELF-ALIGNING

Pivot design enables magnets to move through 30° to achieve 100% face-to-face contact & a secure hold. Patent pending.

## 2 VARIANTS

Main door & intermediate door magnets available.



## 6 FINISHES INTERMEDIATE DOOR MAGNETS



ANTHRACITE GREY

POLISHED CHROME

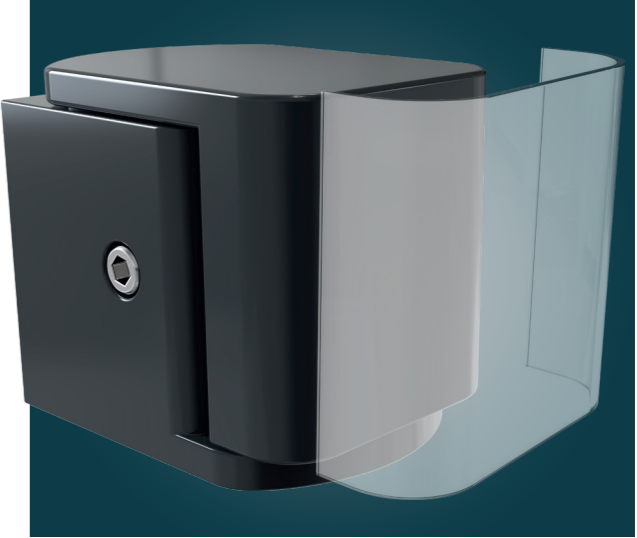
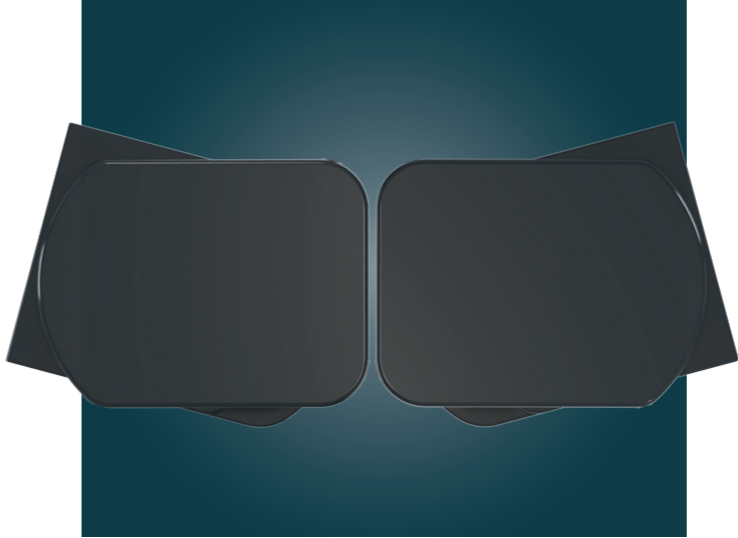
POLISHED GOLD PVD

BRUSHED NICKEL

BLACK

WHITE

# LITTLE THINGS MAKE A BIG DIFFERENCE.



## MIGHTY MAGNETS.

ADVANCE™ bi-fold door magnets are small and simple to install. Only 20mm and 25mm wide, both main and intermediate magnets are visually discreet.

Powerful N52 magnetic force enables the magnets to hold open even heavy bi-fold doors and prevent swing.

## PIVOT TECHNOLOGY.

ADVANCE™ bi-fold door magnets have been cleverly designed with a free-moving pivot feature, patent pending.

ADVANCE™ magnets are the only pivoting, self-aligning magnets on the market, and can pivot through 30° to self-align with ease.

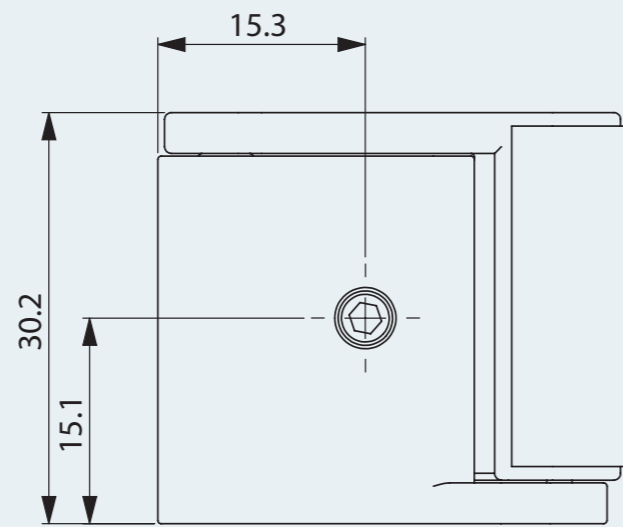
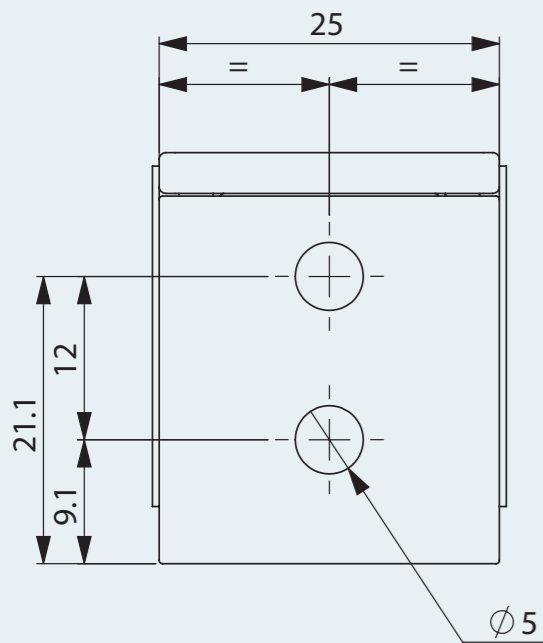
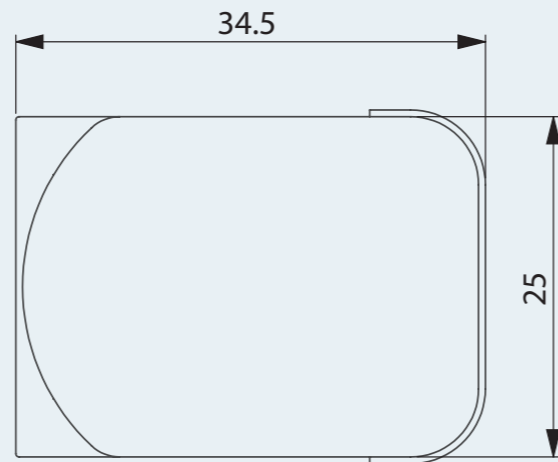
## 100% CONTACT.

ADVANCE™ bi-fold door magnets combine innovative pivot technology & powerful N52 magnetic force to achieve full face-to-face contact for a secure hold.

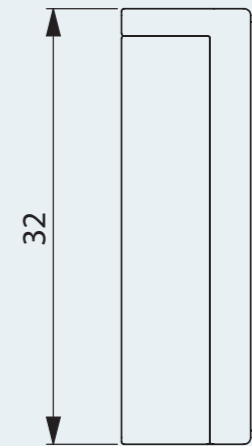
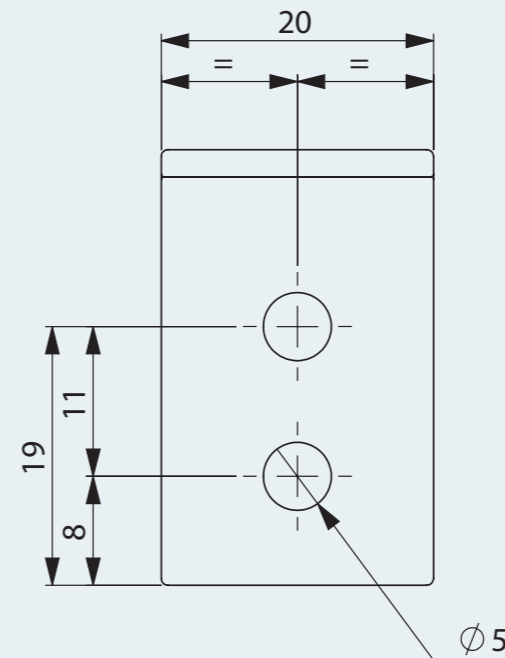
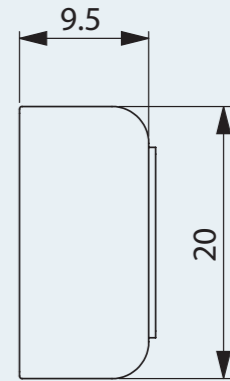
## ANTI- SCRATCH SHIELD.

ADVANCE™ bi-fold door magnets are pre-fitted with an anti-scratch shield. The durable, clear cover ensures surface protection and a long-lasting, scratch resistant finish.

## DIMENSIONAL DRAWINGS MAIN DOOR MAGNETS



## DIMENSIONAL DRAWINGS INTERMEDIATE DOOR MAGNETS



## PART NUMBERS

	ANTHRACITE GREY	POLISHED CHROME	POLISHED GOLD PVD	BRUSHED NICKEL	BLACK	WHITE
ADVANCE™ MAIN DOOR MAGNETS	101169	101161	101164	101160	101167	101168

Packaged in pairs. Supplied in box quantities of 10.

## PART NUMBERS

	ANTHRACITE GREY	POLISHED CHROME	POLISHED GOLD PVD	BRUSHED NICKEL	BLACK	WHITE
ADVANCE™ INTERMEDIATE DOOR MAGNETS	101179	101171	101174	101170	101177	101178

Packaged in pairs. Supplied in box quantities of 10.



Call our sales office directly  
01327 312 400

Email  
[sales@mila.co.uk](mailto:sales@mila.co.uk)

Visit  
[mila.co.uk](http://mila.co.uk)