

Supa™

Stainless Steel The Collection.

Extreme Durability · Strong ·
Fully Suited · Corrosion Resistance ·
Standard & Enhanced Security Options ·



Suitable for PVCu, timber,
aluminium & composite doors



Hardware that starts with **you.**



Supa™ Stainless Steel The Collection.

Page	Product
4	SupaSecure™ Door Handle High security stainless steel door handle. SBD approved.
6	Supa™ Door Handle Standard security stainless steel door handle.
8	Supa™ Safety Door Handle Stainless steel door handle designed with accessibility in mind.
10	SupaSecure™ Letterplate High security stainless steel letterplate. TS008 certified, SBD approved.
12	Supa™ Letterplate Standard security stainless steel letterplate.
14	Supa™ Pull Bar Collection Inline, offset, bow, D, V shape stainless steel designs.
18	Supa™ Square Pull Bars Inline, offset and inline mitred stainless steel designs.
20	Supa™ Door Knobs 3 stainless steel finishes.
22	SupaSecure™ Escutcheons 2 stainless steel styles. SBD approved.
24	SupaSecure™ Pull Escutcheons 2 stainless steel styles. SBD approved.
26	Supa™ Escutcheons Standard, pull and square designs.
28	Supa™ Door Knockers, Numerals and Letters Stainless steel accessories.

SupaSecure™ 2 Star Door Handle.

Mila's SupaSecure™ door handles combine high quality stainless steel with clever security technology for market-leading protection, extreme strength and durability and long-lasting operational performance.

The range has been independently tested to the toughest industry standards including BSEN 1906, is Secured by Design approved, BSI Kitemarked and is guaranteed for 25 years.

Accreditations.



Secured By Design
Official Police Security Initiative



BSI Kitemark
2 Star Security

KM735758



Enhanced Security
PAS24: 2016



Extreme Durability
BSEN 1906
200,000 cycles | 100kg lever pull



Corrosion Resistance
BSEN 1670, Grade 5
Testing exceed 1000 hours salt spray



Operation & Weather Tightness
BSEN 6375 - 1, 2, 3
50,000 cycles under load



Approved Document Q
Certified



TS007
Enhanced security of cylinder associated hardware

3 SUPA™ Stainless Steel Finishes.



Brushed Stainless



Polished Stainless



Polished Gold PVD Stainless

Intelligent Security.



Deterrent

SBD logo laser etched onto external backplate, BSI Kitemark etched onto internal backplate

Durable

Cast stainless steel, grade 304, provides strength and a long-lasting finish. Also available in grade 316.

Clever

Chamfered backplate shoulders provide mole-grip resistance

Ergonomic

A sprung lever ensures consistent return to 90° to avoid 'handle sag'

Extreme

100kg lever pull tested for super-strong, proven axial strength

Protected

Integrated cylinder guard, visible within the raised backplate, combined with an anti-drill disc which spins if attacked, provides complete cylinder protection

Universal

Suitable for both left and right handed doors, 240mm backplate, lever/ lever and lever/pad designs & with PZ92 and PZ92/62



Supa™ Stainless Steel Door Handle.

Mila's Supa™ door handles combine high quality stainless steel with elegant, modern design.

The Supa™ range has been independently tested beyond industry standards for long-lasting weather resistance and high operational performance, and is guaranteed for 25 years.

Accreditations.



Corrosion Resistance
BSEN 1670, Grade 5
Testing exceed 1000 hours salt spray



Extreme Durability
BSEN 1906
200,000 cycles | 100kg lever pull



Operation & Weather Tightness
BSEN 6375 - 1, 2, 3
50,000 cycles under load

3 SUPA™ Stainless Steel Finishes.



Brushed Stainless



Polished Stainless



Polished Gold PVD Stainless

Available in lever/ lever and lever/pad designs.

Blank backplate options available. See page 30 for order details.

Elegant Design.



Durable

Manufactured from high quality stainless steel, available in grade 304 & 316

Stylish

Simply designed for a modern aesthetic

Ergonomic

A sprung lever ensures consistent return to 90° to avoid 'handle sag'

Easy Installation

Universal design for both left and right handed doors. 240mm backplate suits most popular lock sizes. Supplied complete with screws



Supa™ Stainless Steel Safety Door Handle.

The Supa™ Safety Door Handle, part of Mila's Supa™ stainless steel door furniture range, has been ergonomically designed with accessibility in mind.

The curved shape of the extended lever makes it easy to grip and simple to operate, even with a closed fist. The returned end of the lever prevents anything becoming caught on it, providing additional safety. The handle is available in 5 durable stainless steel finishes and has been styled to be easily identifiable for partially sighted.

Ergonomic Accessibility.

EASY INSTALLATION
 Universal design for both left and right handed doors.
 Sold complete with spindles and 3 screw lengths as standard.

Accreditations.



Corrosion Resistance
 BSEN 1670, Grade 5
 Testing exceed 1000 hours salt spray



Extreme Durability
 BSEN 1906
 200,000 cycles | 100kg lever pull



Operation & Weather Tightness
 BSEN 6375 - 1, 2, 3
 50,000 cycles under load



Approved Document M
 Building regulations compliant



Lifetime Homes
 Make life as easy as possible for as long as possible

Ergonomic

Curved design combined with extended length helps grip during use & enables operation even with a closed fist

Protected

Returned lever prevents anything being caught & ensures safety

Accessible

Easily identifiable styling & available in a range of finishes which provide contrast for partially sighted people

Universal

Suitable for both left and right handed doors, 240mm backplate in PZ92 and PZ92/62

5 SUPA™ Stainless Steel Finishes.



Brushed Stainless



Polished Stainless



Polished Gold PVD Stainless



Black Powder Coated Stainless Steel



White Powder Coated Stainless Steel



SupaSecure™ TS008 Letterplate.

Mila's SupaSecure™ high security letterplate is TS008 certified, Secured by Design approved, BSI Kitemarked, ADQ compliant and meets the requirements of the Postal Services Standard BSEN 13724.

High quality stainless steel combines with clever security technology for extreme strength and durability and long-lasting operational performance.

For extreme weather tightness the Supa™ letterplate has been tested to BS6375-1 resisting 150 Pascals air pressure while preventing water ingress applied at 2 litres per minute under gale force wind conditions.

Independently tested to the toughest industry standards and guaranteed for 25 years.

Accreditations.



Secured By Design
Official Police Security Initiative



KM735758

BSI Kitemark
Laser etched onto internal letterplate for homeowner peace of mind



Enhanced Security
PAS24: 2016



Letterplate Security
TS008 Certified
20,000 cycles & 100kg flap pull test



Corrosion Resistance
BSEN 1670, Grade 5
Over 1000 hours salt spray



Extreme Tested
BS 6375-1

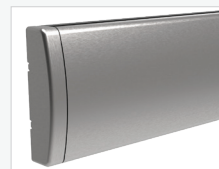


Approved Document Q
Certified



Postal Services Standard
BSEN 13724: 2013
to ensure 'delivery in good condition' of postal items

6 SUPA™ Stainless Steel Finishes.



Brushed Stainless



Brushed Gold PVD
Stainless



Polished Stainless



Polished Gold PVD
Stainless



Black Powder Coated
Stainless



White Powder Coated
Stainless

Intelligent Design.

ANTI-FISHING TECHNOLOGY

Our patented anti-fishing fins operate with a smooth concertina action for clever, secure, restricted flap opening and a compact aesthetic

Patented Design
Application no.
GB2576184



Slim

Compact internal side projects just 45mm discreet and allows the door to fully open

Fishing Deflection

Angled postal ramp deflects items upwards

Durable

Manufactured from high quality stainless steel, grade 304

Extreme

Achieved 100kg flap pull test for super-strong enhanced security

Beautiful

Concealed flap-operating mechanism for seamless design

Secure

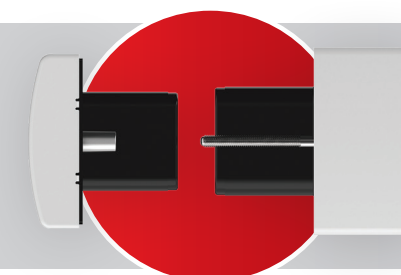
Restricted opening angle of 80° is accessible and secure

Standard Size

Fits door thicknesses 40 - 80mm

Coordinated

Matching stainless steel frame and flap



Installed in less than 2 minutes

Ready to fit - straight from the box to the door in 1 piece

Standard aperture - no special fixings or routing



Supa™ Stainless Steel Letterplate.

Mila's Supa™ letterplate is manufactured from **high quality stainless steel**. The **contemporary design** features a **matching frame and flap**, and suites with other Supa™ stainless steel door furniture for a **fully coordinated** look.

The range has been independently tested to the toughest **performance** standards including durability tested to clause 6.8 of TS008: 2015 achieving 20,000 cycles, BSEN 1670 achieving the highest grade 5 rating for corrosion resistance. In fact, the SUPA™ stainless steel letterplate has been tested to twice the industry standard requirement achieving 1000 hours in a salt spray chamber.

For **extreme weather tightness** the Supa™ letterplate has been tested to **BS6375-1** resisting 150 Pascals air pressure while preventing water ingress applied at 2 litres per minute under gale force wind conditions.

Supa™ standard letterplates are **guaranteed for 25 years** for both mechanical operation and surface finish.

Accreditations.



Corrosion Resistance

BSEN 1670, Grade 5
Over 1000 hours salt spray



Extreme Weather Tightness

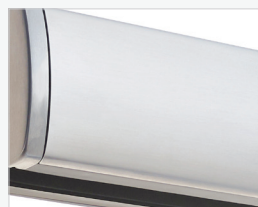
BS 6375-1



Operational Durability

Clause 6.8 of TS008
20,000 cycles

4 SUPA™ Stainless Steel Finishes.



Brushed Stainless



Brushed Gold PVD
Stainless



Polished Stainless



Polished Gold PVD
Stainless

Contemporary Design.

Coordinated

Matching stainless steel frame and flap

Intelligent

Flap opens fully to 180° without abrasion

Durable

Manufactured from high quality stainless steel,
grade 304

Ergonomic

Finger recesses both internally and
externally enable easy opening

Sleek

Concealed flap-operating mechanism for
seamless design

Universal

Fits door thicknesses 24mm-56mm or 61mm –
91mm with our telescopic sleeve extender



Supa™ Stainless Steel Pull Bars.

Mila's Supa™ pull bars combine **high quality stainless steel** and **contemporary styling**.

The range is available in **2 modern designs** - inline and offset - and is available in 8 lengths from 400mm up to 1800mm. The off-set design is available in 45° and 60° angles to suit slimmer profile systems.

The pull bars range is **simple to install**, with **3 fixing kit options** available.

Finally, Mila's Supa™ stainless steel pull bars have been independently tested to BSEN 1670 achieving the **highest grade 5 rating** for **corrosion resistance**. In fact, the range has been tested to **twice** the industry standard requirement achieving **1000 hours** in a salt spray chamber for a **durable, long-lasting finish, guaranteed for 25 years**.

Accreditations.



Corrosion Resistance
BSEN 1670, Grade 5



Modern Design.



High Quality Finish

Brushed stainless steel, grade 304

3 Fixing Options

Through fix, concealed fix or back-to-back

2 Styles

Inline or Offset

8 Lengths

400mm, 600mm, 800mm, 1000mm, 1200mm, 1400mm, 1600mm, 1800mm

Universal

Suitable for both left and right-handed doors



Supa™ Stainless Steel Curved Pull Bars.

Mila's Supa™ curved pull bars combine **high quality stainless steel** and **contemporary styling**.

The range is available in **3 curved designs**: Bow, D and V shapes.

The pull bars range is **simple to install**, with **3 fixing kit options** available.

Finally, Mila's Supa™ stainless steel curved pull bars have been independently tested to BSEN 1670 achieving the **highest grade 5 rating** for **corrosion resistance**. In fact, the range has been tested to **twice** the industry standard requirement achieving **1000 hours** in a salt spray chamber for a **durable, long-lasting finish, guaranteed for 25 years**.

Accreditations.



Corrosion Resistance
BSEN 1670, Grade 5



Supa Bow
588mm

Super Shapes.

High Quality Finish

Brushed stainless steel, grade 304

Universal

Suitable for both left and right handed doors

3 Fixing Options

Through fix, concealed fix or back-to-back

3 Styles

Bow, V and D shapes

Choose your
Fixing Kit Option
P.41



Supa V
330mm



Supa D
330mm



Supa™ Stainless Steel Square Bars.

Mila's Supa™ square pull bars combine **high quality stainless steel** and **contemporary styling**.

The range is available in **3 square designs**: inline, offset and mitred.

The pull bars range is **simple to install**, with **3 fixing kit options** available.

Finally, Mila's Supa™ stainless steel square pull bars have been independently tested to BSEN 1670 achieving the **highest grade 5 rating for corrosion resistance**. In fact, the range has been tested to **twice** the industry standard requirement achieving **1000 hours** in a salt spray chamber for a **durable, long-lasting finish, guaranteed for 25 years**.

Accreditations.



Corrosion Resistance
BSEN 1670, Grade 5



SUPA™ Suited

For a **fully coordinated look**, our concealed-fix SUPA™ Square stainless steel escutcheons are **stylish and simple to fit**.

It's Hip to be Square.



- High Quality Finish**
Brushed stainless steel, grade 316
- Universal**
Suitable for both left and right handed doors
- 3 Fixing Options**
Through fix, concealed fix or back-to-back

Inline
1200mm

Offset
1200mm

Mitred
1200mm



Supa™ Stainless Steel Door Knobs.

Mila's Supa™ door knobs combine **high quality stainless steel** and **elegant styling**.

The range is available in **3 stainless steel finishes**: brushed stainless steel, duo stainless steel combining a polished rose with a brushed knob, and duo gold PVD stainless steel combining a polished rose with a brushed knob.

Supa door knobs are **simple to install**, with **2 fixing kit options** available.

Finally, Mila's Supa™ stainless steel door knobs have been independently tested to BSEN 1670 achieving the **highest grade 5 rating for corrosion resistance**. In fact, the range has been tested to **twice** the industry standard requirement achieving **1000 hours** in a salt spray chamber for a **durable, long-lasting finish, guaranteed for 25 years**.

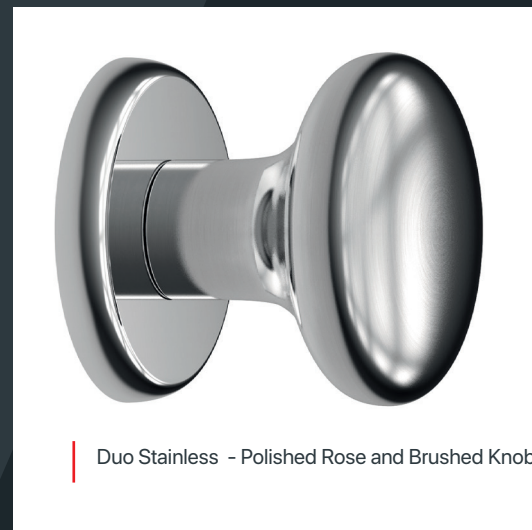
Accreditations.



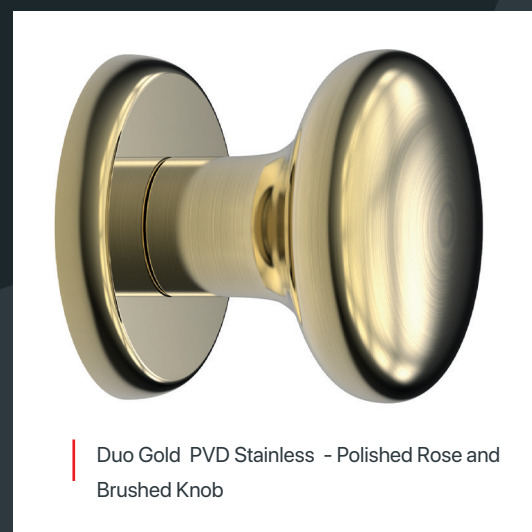
Corrosion Resistance
BSEN 1670, Grade 5



Brushed Stainless Steel



Duo Stainless - Polished Rose and Brushed Knob



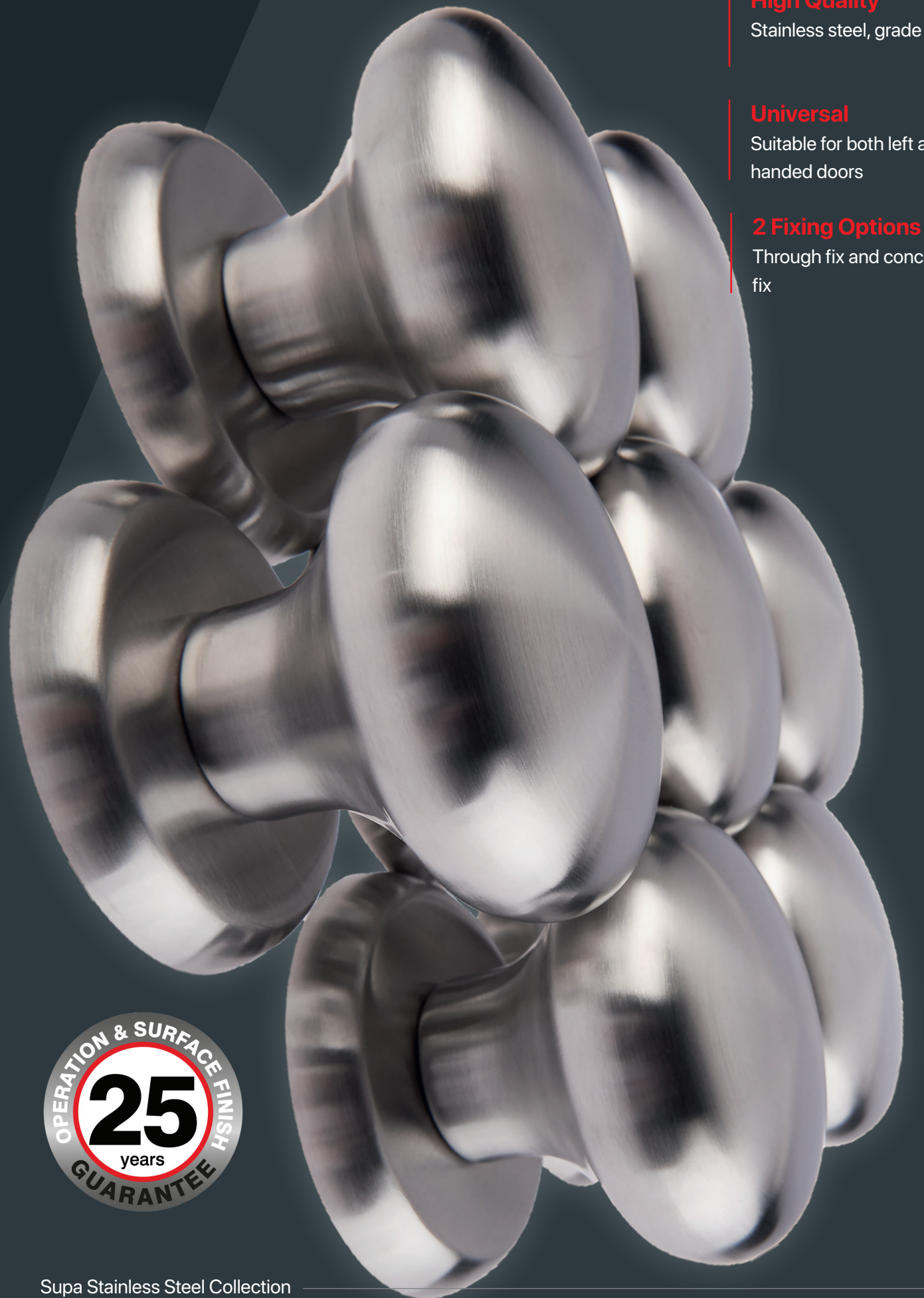
Duo Gold PVD Stainless - Polished Rose and Brushed Knob

Simple Style.

High Quality
Stainless steel, grade 304

Universal
Suitable for both left and right handed doors

2 Fixing Options
Through fix and concealed fix



SupaSecure™ 2 Star Escutcheons.

Mila's SupaSecure™ escutcheons combine high quality stainless steel with clever security technology for market-leading protection, extreme strength and durability and long-lasting operational performance.

The range has been independently tested to the toughest industry standards including extreme, heavy duty testing to BSEN 1906, is Secured by Design approved, BSI Kitemarked, ADQ compliant, TS007 certified and is guaranteed for 25 years.

Accreditations.



Secured By Design
Official Police Security Initiative



BSI Kitemark
2 Star Security

KM735758



Enhanced Security
PAS24: 2016



Cylinder Enhanced Security
TS007 Certified



Corrosion Resistance
BSEN 1670, Grade 5
1000 hours salt spray



Weather Tightness
BS 6375

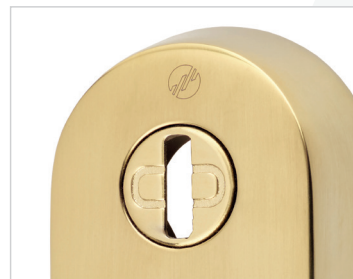


Approved Document Q
Certified

3 SUPA™ Stainless Steel Finishes.



Brushed Stainless



Polished Gold PVD Stainless



Polished Stainless

Clever Details.

Deterrent

SBD logo laser etched onto external escutcheon,
BSI Kitemark etched onto internal escutcheon

Durable

Cast stainless steel, grade 304, provides
strength and a long-lasting finish

Clever

Chamfered shoulders provide
mole-grip resistance

Protected

Anti-drill disc spins if attacked to provide
complete cylinder protection





SupaSecure™ 2 Star Pull Escutcheons.

Mila's SupaSecure™ pull escutcheons combine high quality stainless steel with clever security technology for market-leading protection, extreme strength and durability and long-lasting operational performance.

The range has been independently tested to the toughest industry standards and is Secured by Design approved, BSI Kitemarked, ADQ compliant, TS007 certified and is guaranteed for 25 years.

Accreditations.



Secured By Design
Official Police Security Initiative



BSI Kitemark
2 Star Security



Cylinder Enhanced Security
TS007 Certified



Enhanced Security
PAS24: 2016



Corrosion Resistant
BSEN 1670, Grade 5
1000 hours salt spray



Weather Tightness
BS 6375



Approved Document Q
Certified

3 SUPA™ Stainless Steel Finishes.



Brushed Stainless



Polished Gold PVD Stainless



Polished Stainless

Deterrent
SBD logo laser etched onto external escutcheon,
BSI Kitemark etched onto internal escutcheon

Durable
Cast stainless steel, grade 304, provides
strength and a long-lasting finish

Clever
Chamfered shoulders provide
mole-grip resistance

Protected
Anti-drill disc spins if attacked to provide
complete cylinder protection

Supa™ Stainless Steel Escutcheons.

Mila's Supa™ standard escutcheon range combine **high quality stainless steel** and **elegant styling**.

The range is available in **3 designs** - standard, standard pull and square. **Three stainless steel finishes** include brushed stainless steel, polished stainless steel and polished gold PVD stainless steel.

Supa™ escutcheons are **simple to install** and some feature concealed fixings.

Finally, all of Mila's Supa™ stainless steel escutcheons have been independently tested to BSEN 1670 achieving the **highest grade 5 rating for corrosion resistance**. In fact, the range has been tested to **twice** the industry standard requirement achieving **1000 hours** in a salt spray chamber for a **durable, long-lasting finish, guaranteed for 25 years**.

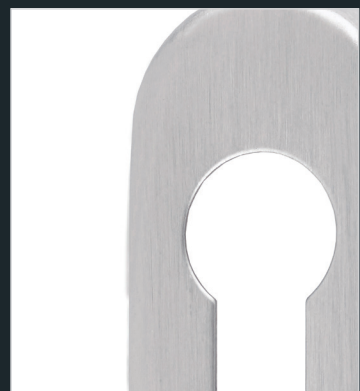


Accreditations.



Corrosion Resistance
BSEN 1670, Grade 5

3 SUPA™ Stainless Steel Finishes.



Brushed Stainless



Polished Gold PVD Stainless



Polished Stainless

Small, Important Details.



Standard Escutcheon

High Quality Finishes
Grade 304

3 Designs
Standard, pull and square

Universal
Suitable for both left and right handed doors

Concealed Fixing
The stainless steel clip-fit cover, conceals fixings in a sturdy nylon bracket (standard & square escutcheons only)



Standard Pull Escutcheon



Square Escutcheon

Supa™ Stainless Steel Accessories.

Mila's Supa™ stainless steel door knockers, letters and numerals combine **high quality stainless steel** and **elegant styling**.

Door knockers are available in **4 stainless steel finishes**: brushed stainless steel, polished stainless steel, brushed gold PVD stainless steel and polished gold stainless steel.

All of Mila's Supa™ stainless steel door accessories have been independently tested to BSEN 1670 achieving the **highest grade 5 rating for corrosion resistance**. In fact, the range has been tested to **twice** the industry standard requirement achieving **1000 hours** in a salt spray chamber for a **durable, long-lasting finish, guaranteed for 25 years**.

Accreditations.

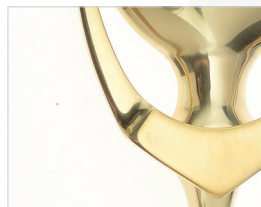


Corrosion Resistance
BSEN 1670, Grade 5

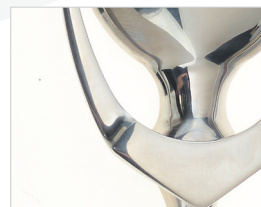
4 SUPA™ Stainless Steel Finishes.



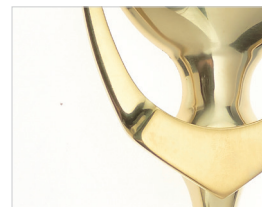
Brushed Stainless



Brushed Gold PVD Stainless



Polished Stainless



Polished Gold PVD Stainless



Make an Entrance.



High Quality Finishes
Letters & numerals in grade 304 & 316 stainless steel

2 Knockers Designs
With & without hole, concealed or through fix



Supa™ Stainless Steel

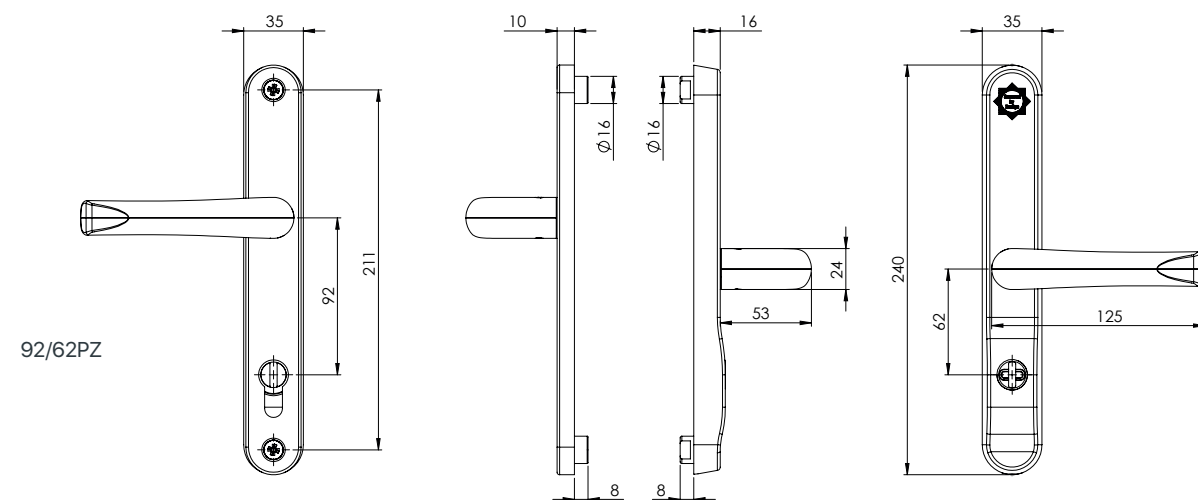
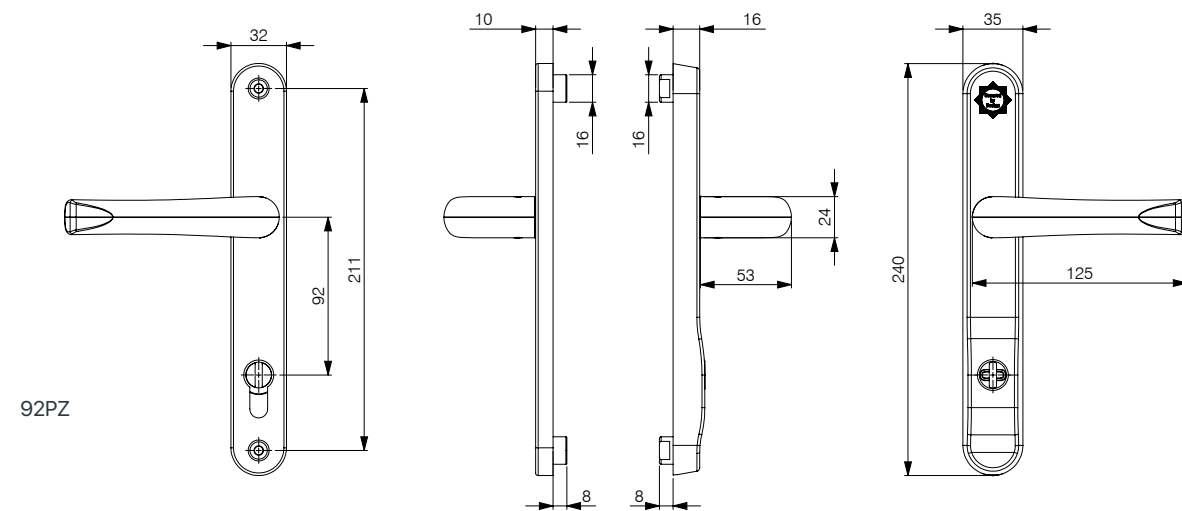
Part Numbers & Dimensional Drawings.

Page	Product
32	SupaSecure™ Door Handle
33	Supa™ Door Handle
34	Supa™ Safety Door Handle
36	SupaSecure™ Letterplate
37	Supa™ Letterplate
38	Supa™ Pull Bar Collection
39	Supa™ Square Pull Bars
40	Supa™ Curved Pull Bars
41	Supa™ Door Knobs
42	Supa™ Pull Bar Fixing Kit
43	Supa™ Pull Bar Fitting Instructions
44	SupaSecure™ Escutcheons
45	Supa™ Escutcheons
46	Supa™ Door Knockers
47	Supa™ Numerals & Letters

SupaSecure™ 2 Star Door Handles

Part numbers & dimensional drawings.

Description	Grade	Variant	Backplate	PZ	Polished Stainless	Brushed Stainless	Polished Gold PVD Stainless	Brushed Gold PVD Stainless
SupaSecure™ Door Handle	304	Lever/Lever	240mm	92	570241	570242	570244	570243
SupaSecure™ Door Handle	304	Lever/Pad	240mm	92	570281	570282	570284	-
SupaSecure™ Door Handle	304	Lever/Pad	240mm	92/62	570251	570252	570254	570253
SupaSecure™ Door Handle	316	Lever/Lever	240mm	92	571241	571242	571244	-
SupaSecure™ Door Handle	316	Lever/Pad	240mm	92/62	571251	571252	571254	-



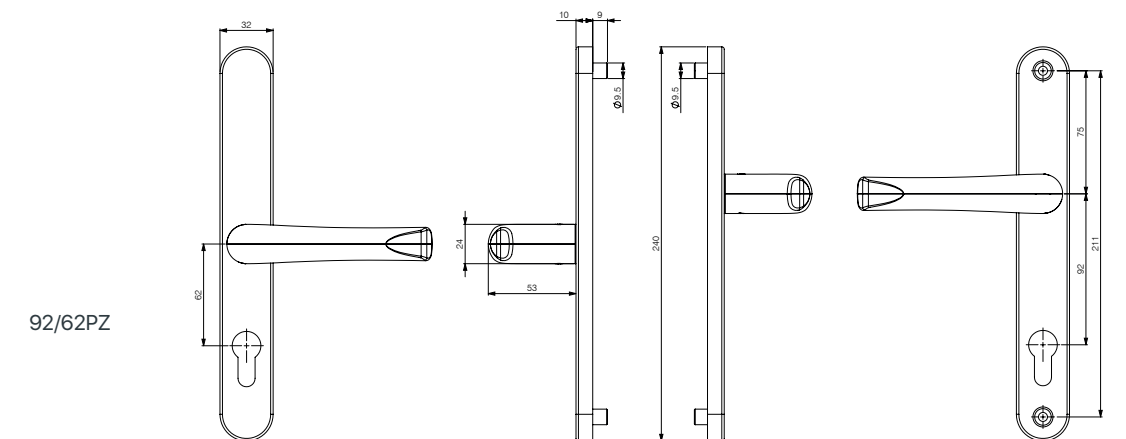
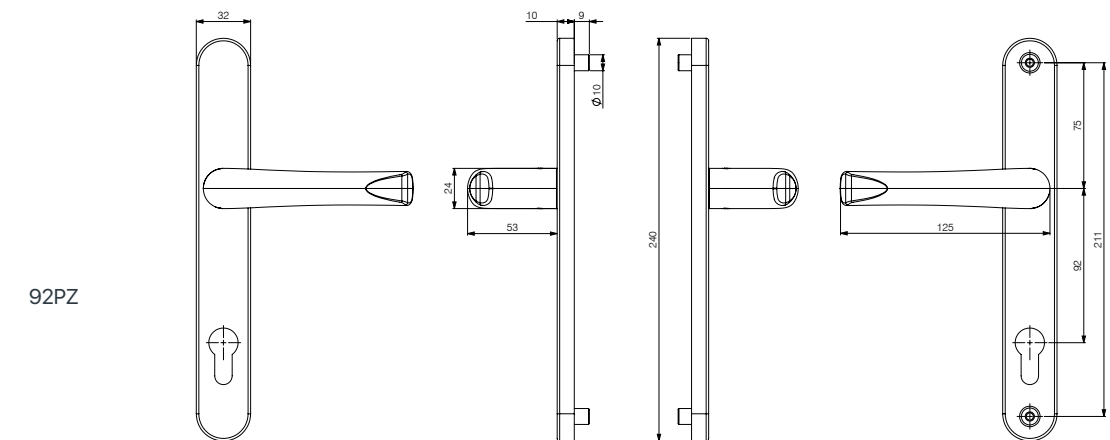
Supplied complete with screws

Supa™ Stainless Steel Door Handles

Part numbers & dimensional drawings.

Description	Grade	Variant	Backplate	PZ	Polished Stainless	Brushed Stainless	Polished Gold PVD Stainless	Brushed Gold PVD Stainless
Supa™ Standard Door Handle	304	Lever/Lever	240mm	92	570501N	570502N	570504N	-
Supa™ Standard Door Handle	316	Lever/Lever	240mm	92	571501	571502	571504	-
Supa™ Standard Door Handle	304	Lever/Pad	240mm	92	570511	570512	570514	-
Supa™ Standard Door Handle	304	Lever/Lever	240mm	92/62*	570541	570542	570544	-
Supa™ Standard Door Handle	304	Lever/Pad	240mm	92/62	570551N	570552	570554N	-
Supa™ Standard Backplate	304	Blank Backplate	240mm	-	570561	570562	570564	570563
Supa™ Standard Door Handle	304	Lever Blank	240mm	-	570571	570572	570574	570573

*Special order



Supplied complete with screws

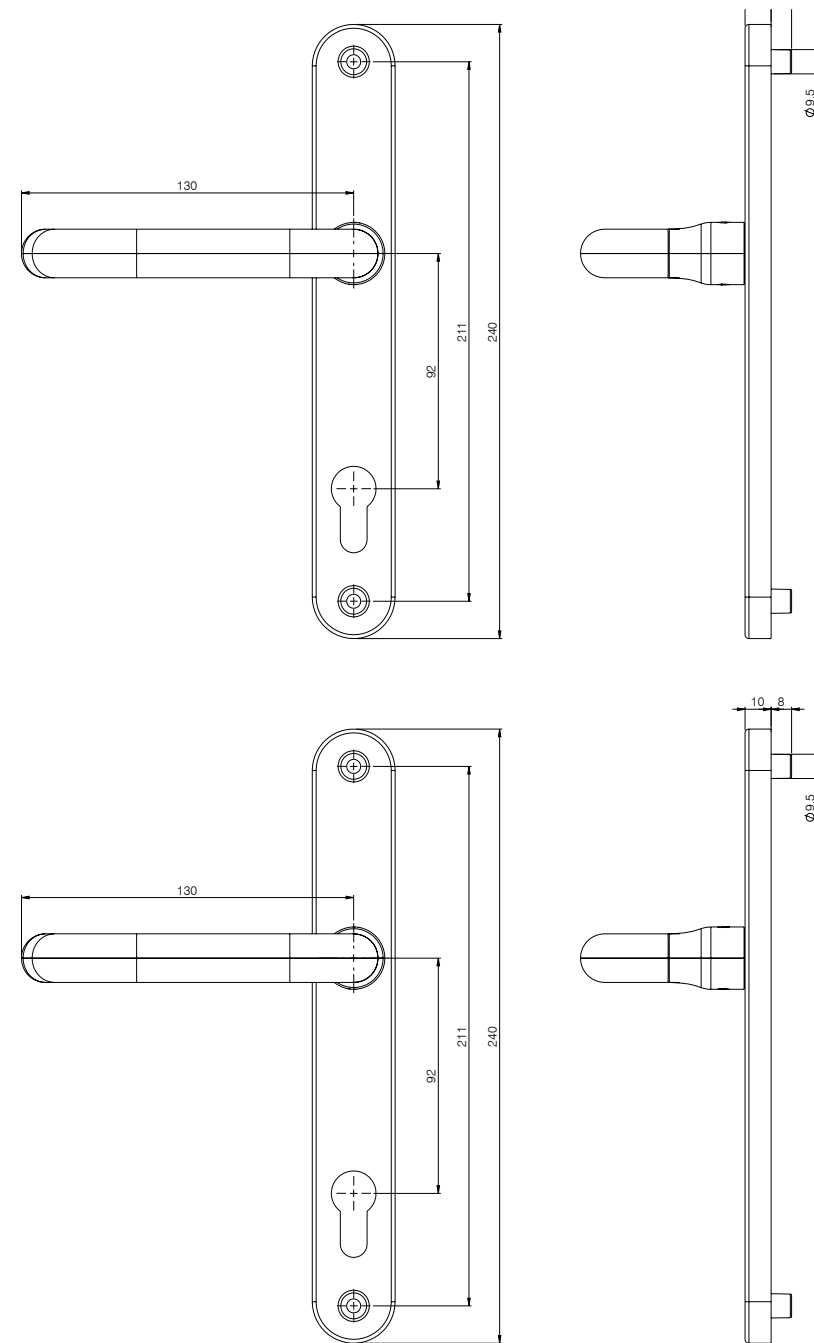
Supa™ Safety Stainless Steel Door Handles

Part numbers & dimensional drawings.

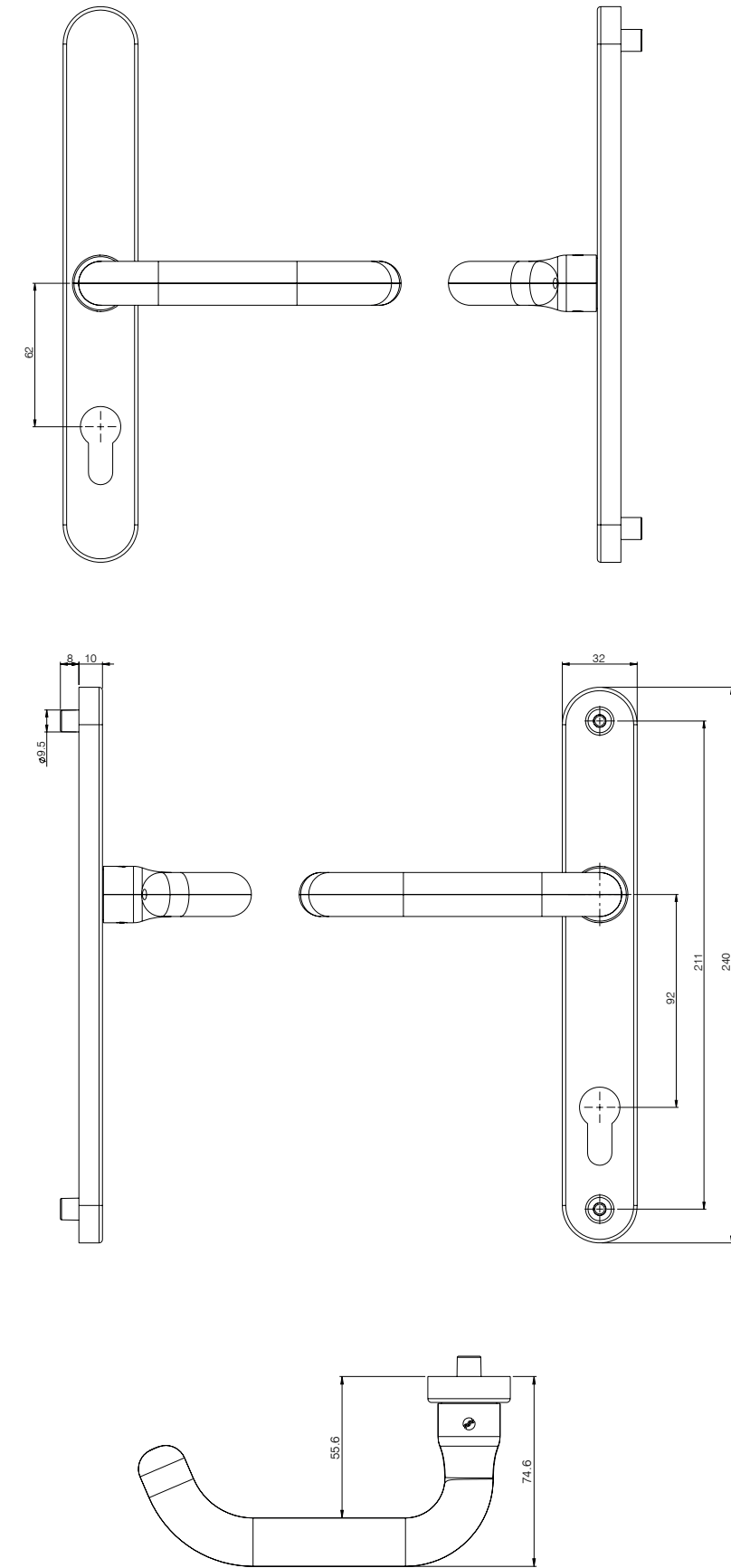
Description	Grade	Backplate	PZ	Polished Stainless	Brushed Stainless	Polished Gold PVD Stainless	Brushed Gold PVD Stainless	Black Powder Coated Stainless	White Powder Coated Stainless
Supa™ Safety Door Handle	304	240mm	92	570501N	570502N	570504N	570703*	570707	570708
Supa™ Safety Door Handle	316	240mm	92/62	571501	571502	571504	570743*	570747	570748

*Special order

92PZ



92/62PZ



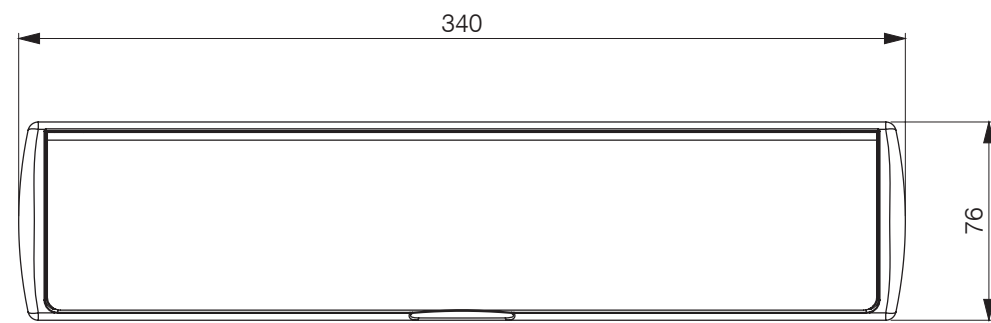
Supplied complete with screws

SupaSecure™ TS008 Letterplates

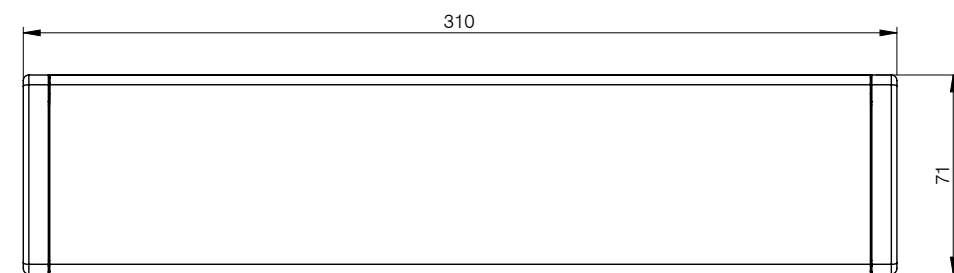
Part numbers & dimensional drawings.

	External Letterplate Polished Stainless	External Letterplate Brushed Stainless	External Letterplate Brushed Gold PVD Stainless	External Letterplate Polished Gold PVD Stainless	External Letterplate Black Powder Coated Stainless	External Letterplate White Powder Coated Stainless
Internal TS008 Letterplate Polished Chrome	TS008 PSS/CH	-	-	-	-	-
Internal TS008 Letterplate Polished Gold	-	-	-	TS008 GSS/G	-	-
Internal TS008 Letterplate Satin Silver	-	TS008 BSS/SS	-	-	-	-
Internal TS008 Letterplate Black	-	-	-	-	TS008 BLKSS/BLK	-
Internal TS008 Letterplate White	TS008 PSS/WHT	TS008 BSS/WHT	TS008 BGSS/WHT	TS008 GSS/WHT	TS008 BLKSS/WHT	TS008 WSS/WHT

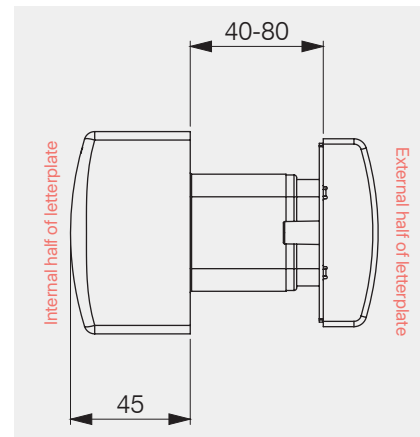
Note. Additional colour combinations available - please contact the Mila sales team on 01327 312 400



Internal Letterplate



External Letterplate



Side View



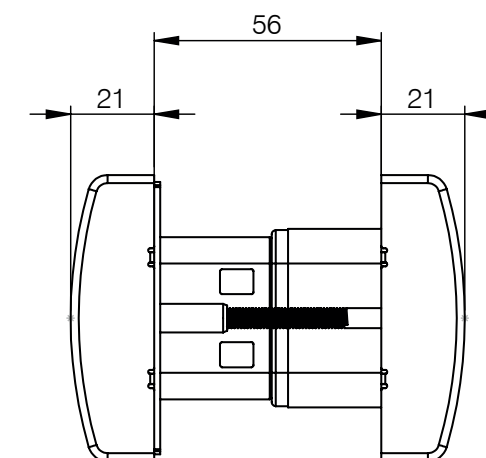
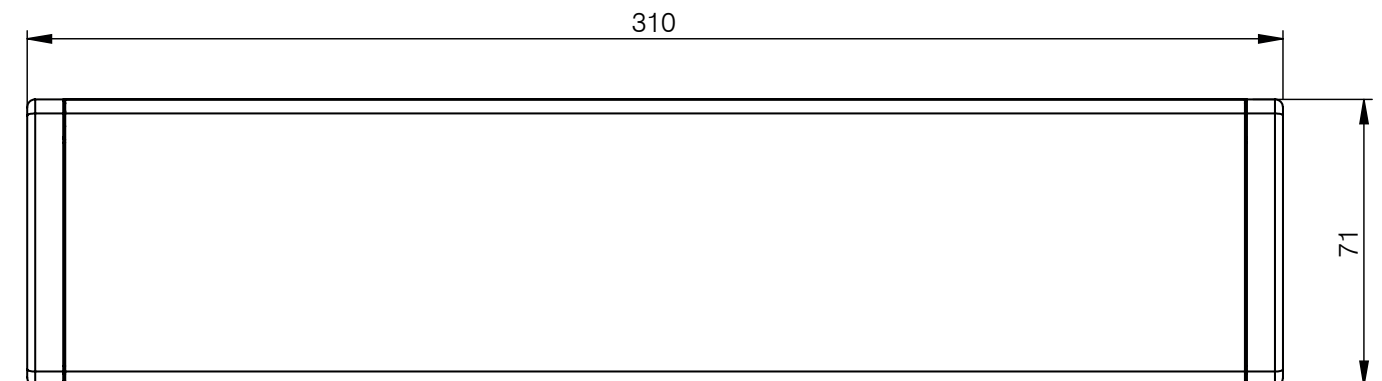
Aperture

Supplied complete with screws

Supa™ Stainless Steel Letterplates

Part numbers & dimensional drawings.

Description	Grade	Polished Stainless	Brushed Stainless	Polished Gold PVD Stainless	Brushed Gold PVD Stainless
Supa™ Standard Letterplate	304	112001	112002	112004	112003
Supa™ Standard Letterplate Sleeve Extender & Accs. 61-91mm	112090				



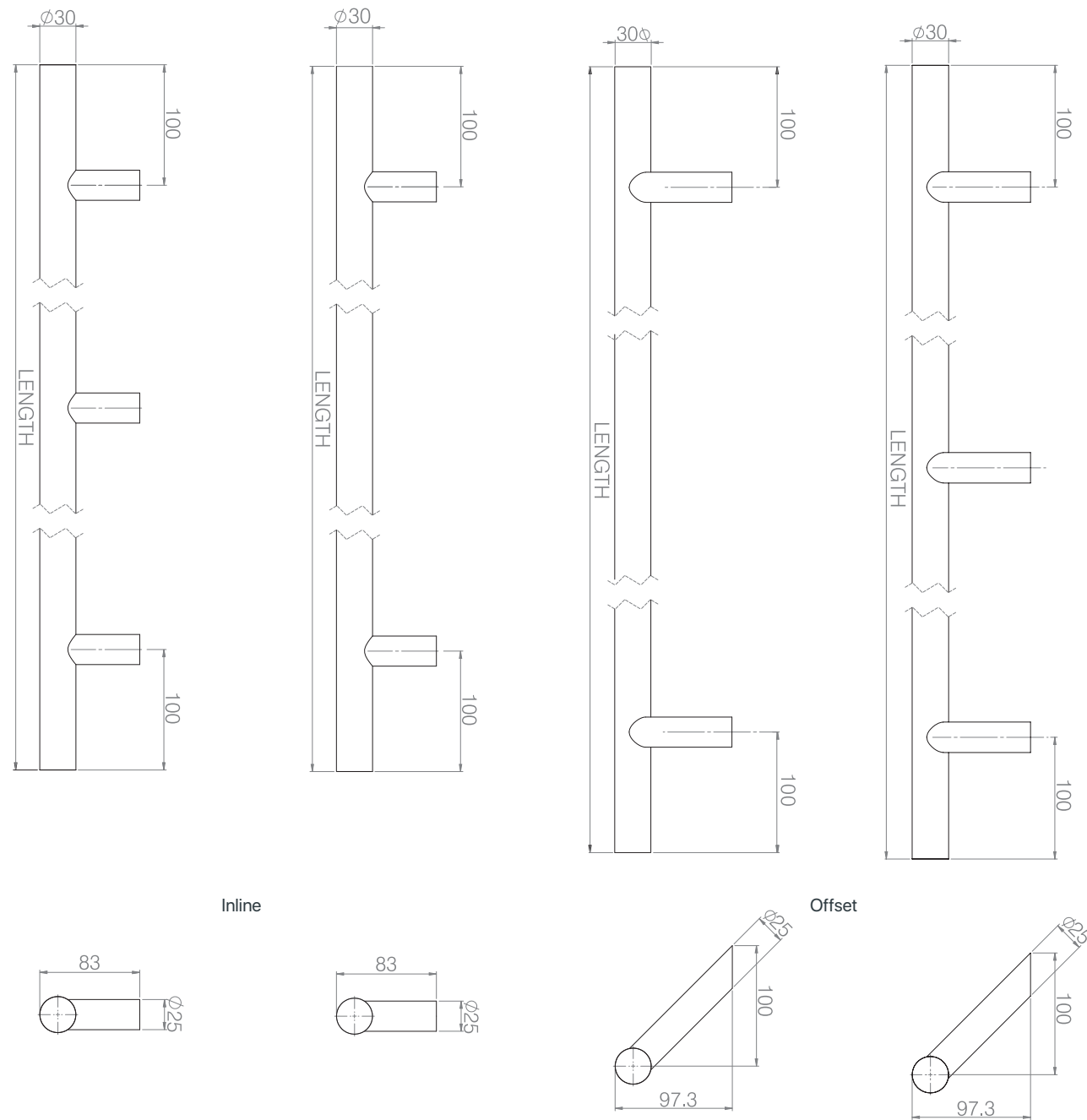
Supplied complete with screws

Supa™ Stainless Steel Pull Bars

Order Standard
or Security
Escutcheons
P.44 & P.45

Part numbers & dimensional drawings.

Description	Variant	Grade	Brushed Stainless	Brushed Stainless	Brushed Stainless	Brushed Stainless	Brushed Stainless	Brushed Stainless	Brushed Stainless	Brushed Stainless
			400mm	600mm	800mm	1000mm	1200mm	1400mm	1600mm	1800mm
Supa™ Pull Bar	Offset 60°	304	573002	573012	573022	573032	573042	573052	573062	573072
Supa™ Pull Bar	Offset 45°	304	573006	573016	573026	573036	573046	573056	573066	573076
Supa™ Pull Bar	Inline	304	573102	573112	573122	573132	573142	573152	573162	573172



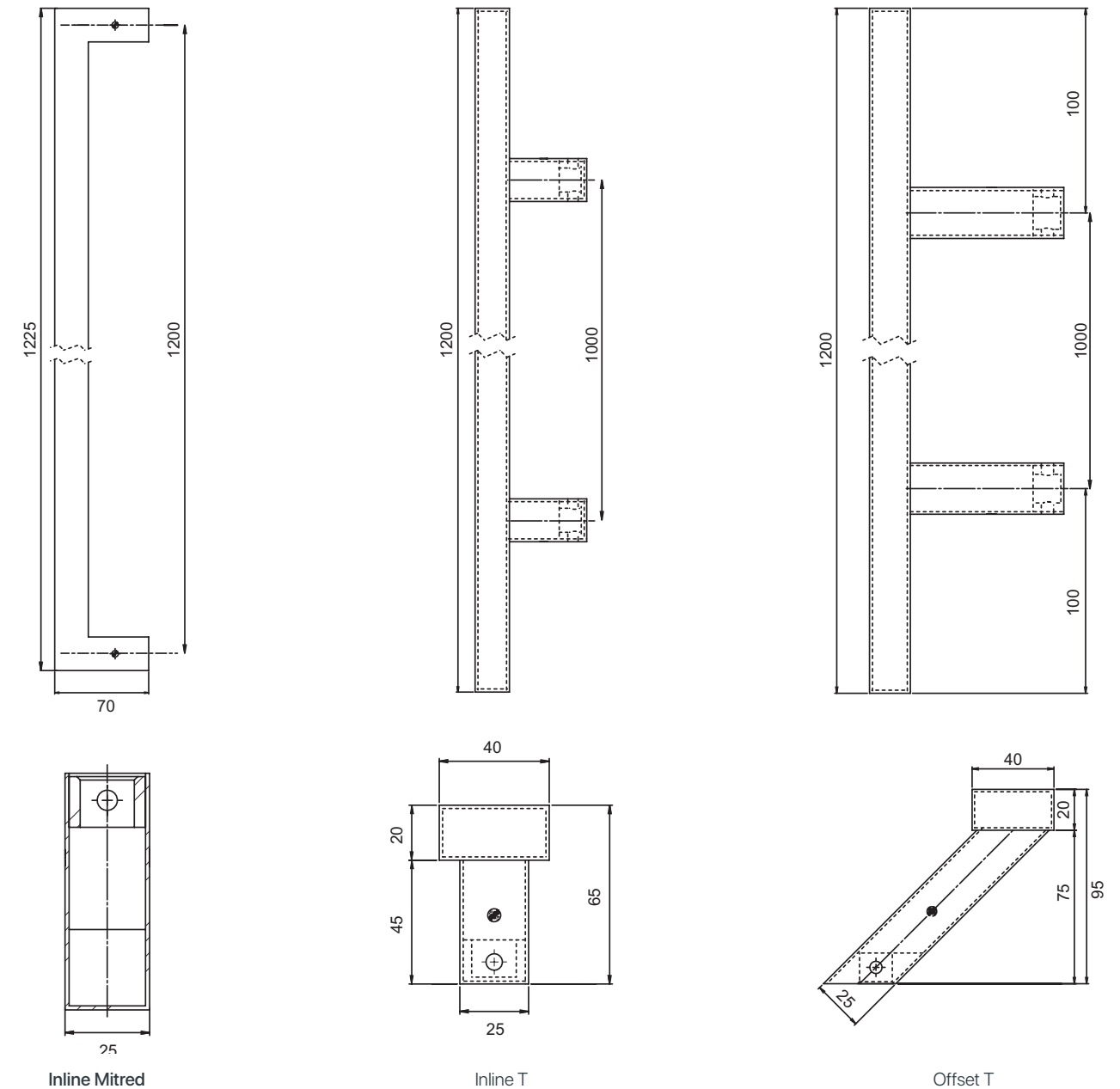
Fixing kit required - see page 41 for details

Supa™ Stainless Steel Square Bars

Order Your
Square
Escutcheon
P.45

Part numbers & dimensional drawings.

Description	Variant	Grade	Length	Fixing Points	Brushed Stainless
Supa™ Square Pull Bar	Inline Mitred	316	1200mm	2	572102
Supa™ Square Pull Bar	Inline T	316	1200mm	2	572112
Supa™ Square Pull Bar	Offset T	316	1200mm	2	572122

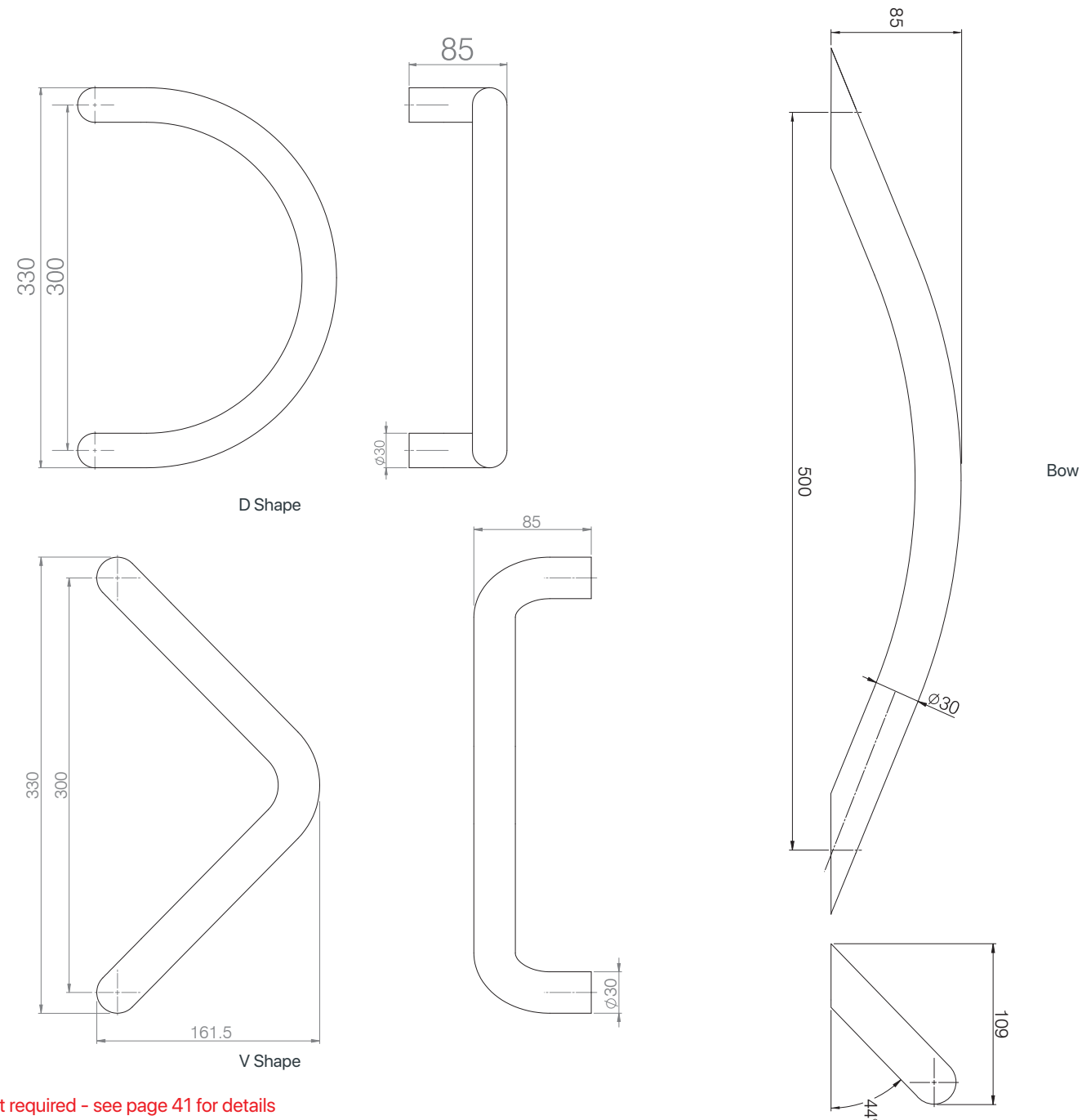


Fixing kit required - see page 41 for details

Supa™ Stainless Steel Curved Pull Bars

Part numbers & dimensional drawings.

Description	Variant	Grade	Overall Length	Fixing Centers	Fixing Points	Brushed Stainless
Supa™ Curved Pull Bar	D	304	330mm	300mm	2	573202
Supa™ Curved Pull Bar	V	304	330mm	300mm	2	573212
Supa™ Curved Pull Bar	Bow	304	587mm	500mm	2	573222

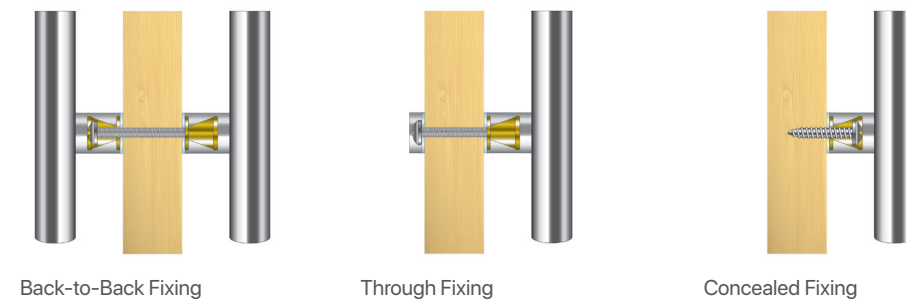


Fixing kit required - see page 41 for details

Supa™ Stainless Steel Fixing Kits

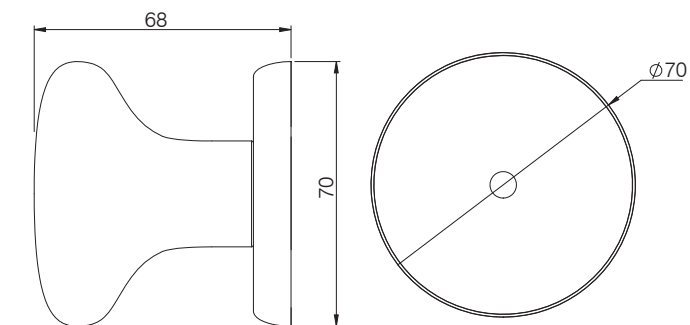
Part numbers & dimensional drawings.

Description	Type	Grade	Part Number
Supa™ Pull Bar Fixing Kit	Through	304	573302
Supa™ Pull Bar Fixing Kit	Concealed	304	573320
Supa™ Pull Bar Fixing Kit	Back-to-back, 44mm - 56mm slab	304	573315
Supa™ Pull Bar Fixing Kit	Back-to-back, 64mm - 76mm slab	304	573316
Supa™ Pull Bar Fixing Kit	Back-to-back, 74mm - 85mm slab	304	573317



Description	Variant	Grade	Duo Stainless	Duo Gold	Brushed Stainless
Supa™ Door Knob	Through Fix	304	574000	574003	574002
Supa™ Door Knob	Concealed Fix	304	574010*	574013*	574012

*Special order



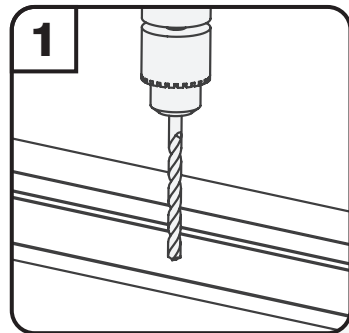
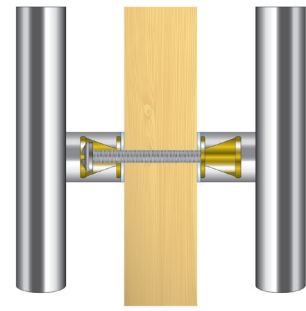
Supa™ Simple Pull Bar Installation.

Back-to-back installation

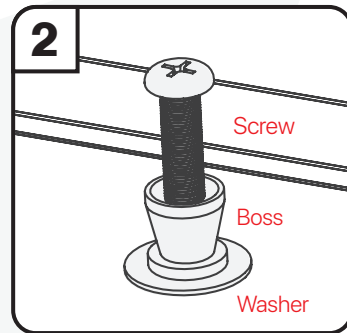
400mm - 1200mm pull bars have 2 fixing points

1400mm - 1800mm pull bars have 3 fixing points and require an additional fixing pack

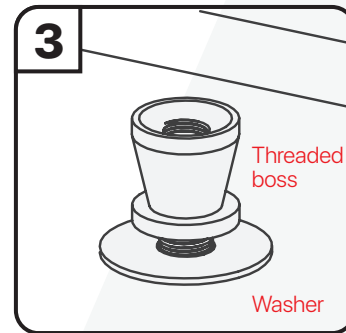
Important. Choose the fixing location on you door carefully to ensure sufficient gearbox and cylinder clearance.



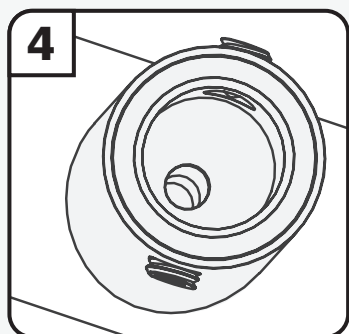
1 Drill an 8mm hole into the door at the required locations.
For accuracy, measure and mark both sides of the door.



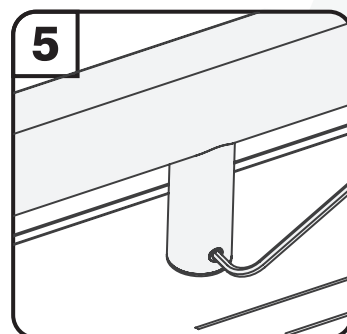
2 From the internal side of the door;
Slide a non-threaded boss (flat base towards the door) onto the M8 screw, followed by a clear plastic washer. Locate onto door, into one of drilled holes.



3 From the external side of the door;
Position a plastic washer over the screw followed by the threaded boss (flat base against the door) and tighten with PH3 screwdriver - do not over tighten. Repeat for remaining fixings positions.



4 On the pull bar; ensure grub screws are fully out before fitting over boss.



5 Locate pull bar over the boss, tighten both grub screws on both to secure.

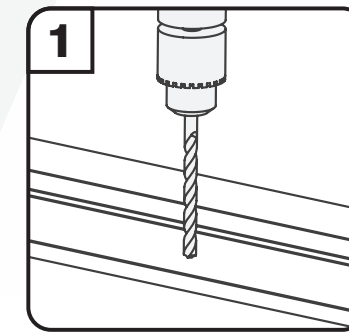
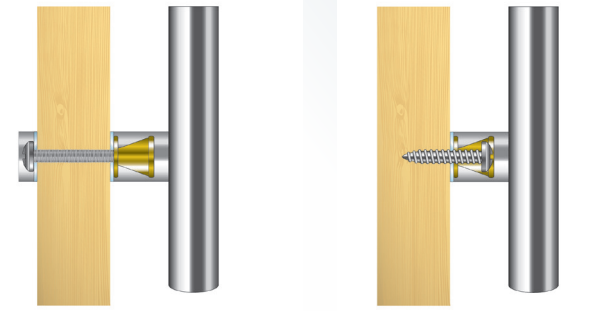
Fixing Kit Guide.

Through & Concealed installation

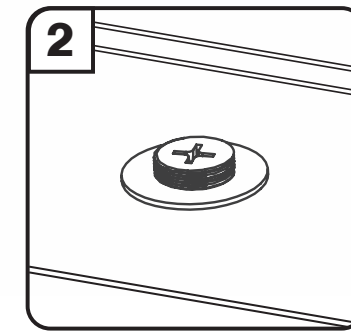
400mm - 1200mm pull bars have 2 fixing points

1400mm - 1800mm pull bars have 3 fixing points and require an additional fixing pack

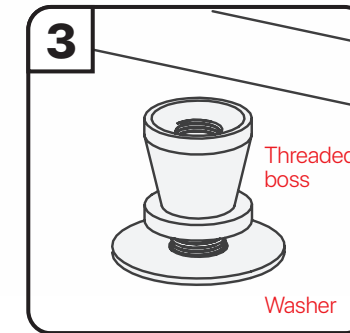
Important. Choose the fixing location on you door carefully to ensure sufficient gearbox and cylinder clearance



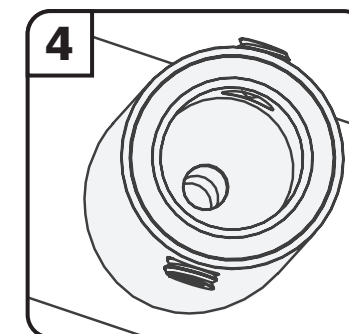
1 Drill an 8mm hole into the door at the required locations.
Through fix - for accuracy, measure and mark both sides of the door.



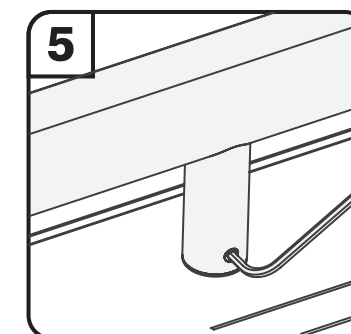
2 Through fix: from the internal side of the door, slide a clear plastic washer onto the M8 screw and locate onto door, into one of drilled holes.



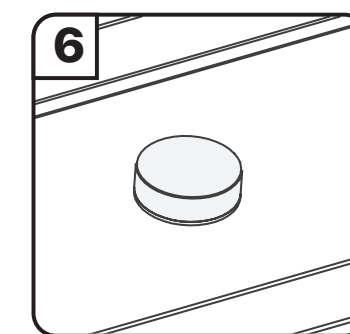
3 Through fix: From the external side of the door, position a plastic washer over the screw followed by threaded boss (flat base against door)
Concealed fix: From the external side of the door, thread the screw through the boss and a washer and locate the flat base against door.
Tighten with PH3 screwdriver - do not over tighten. Repeat for remaining fixings positions.



4 On the pull bar; ensure grub screws are fully out before fitting over boss.



5 Locate pull bar over the boss, tighten both grub screws on both to secure.



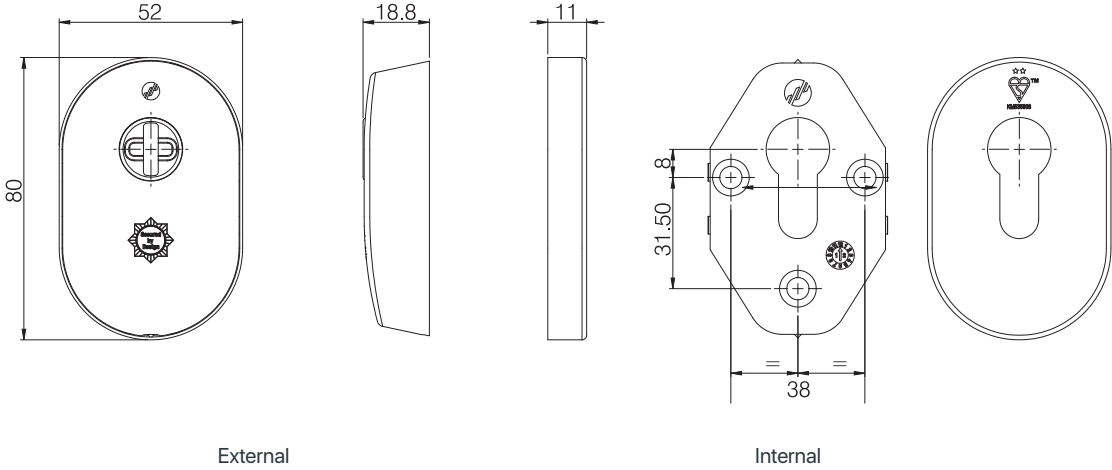
6 Through fix: from the internal side of the door; screw disc over screw and washer.

SupaSecure™ 2 Star Escutcheons

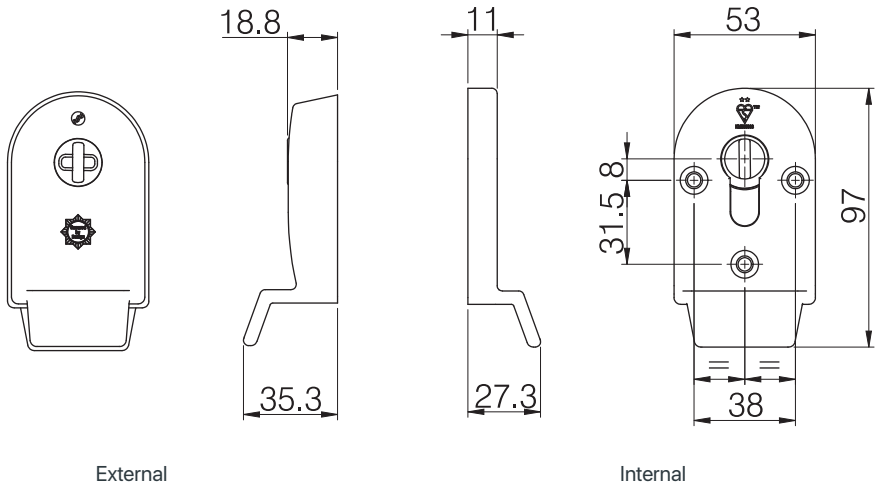
Part numbers & dimensional drawings.

Description	Grade	Polished Stainless	Brushed Stainless	Polished Gold PVD Stainless
SupaSecure™ Escutcheon	304	579081	579082	579084
SupaSecure™ Pull Escutcheon	304	579061	579062	579064

SupaSecure™ Escutcheon



SupaSecure™ Pull Escutcheon

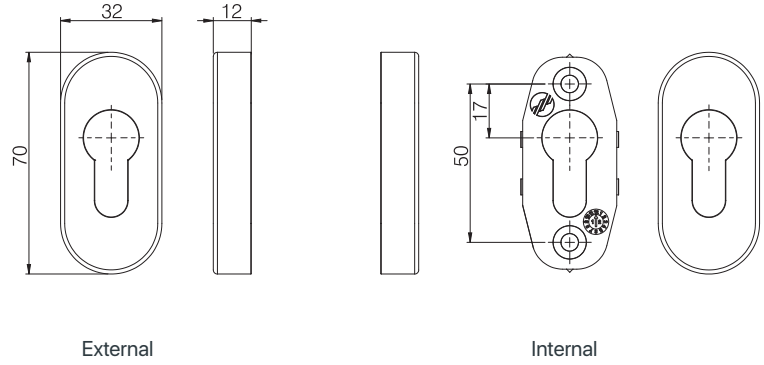


Supa™ Stainless Steel Escutcheons

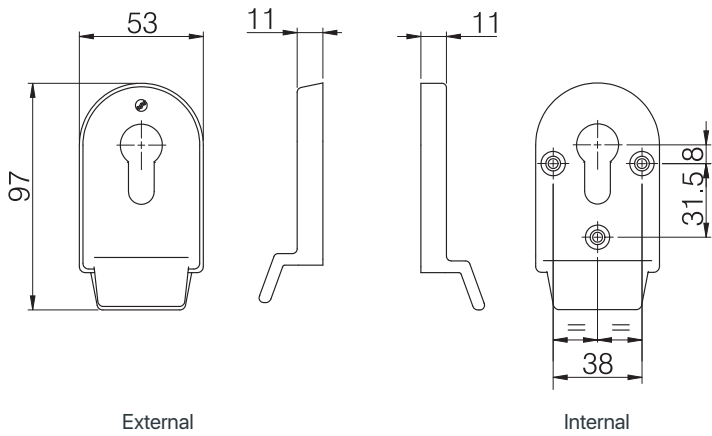
Part numbers & dimensional drawings.

Description	Grade	Polished Stainless	Brushed Stainless	Polished Gold PVD Stainless
Supa™ Standard Escutcheon	304	579001	579002	579004
Supa™ Standard Escutcheon	316	579021	579022	579024
Supa™ Pull Escutcheon	304	579041	579042	579044
Supa™ Square Escutcheon	316	-	579032	-

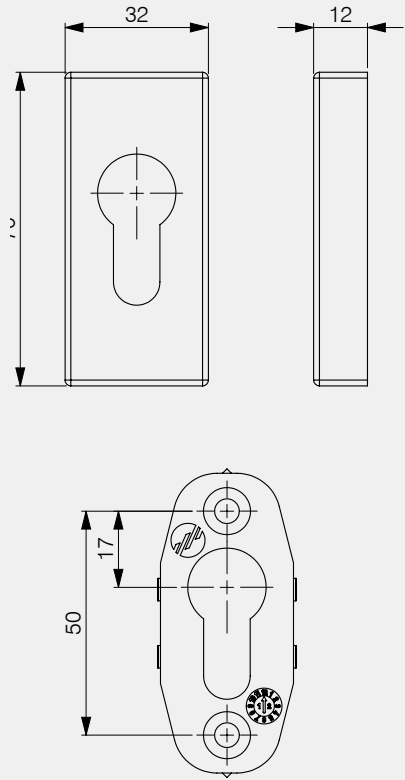
Supa™ Standard Escutcheon



Supa™ Pull Escutcheon



Supa™ Square Escutcheon

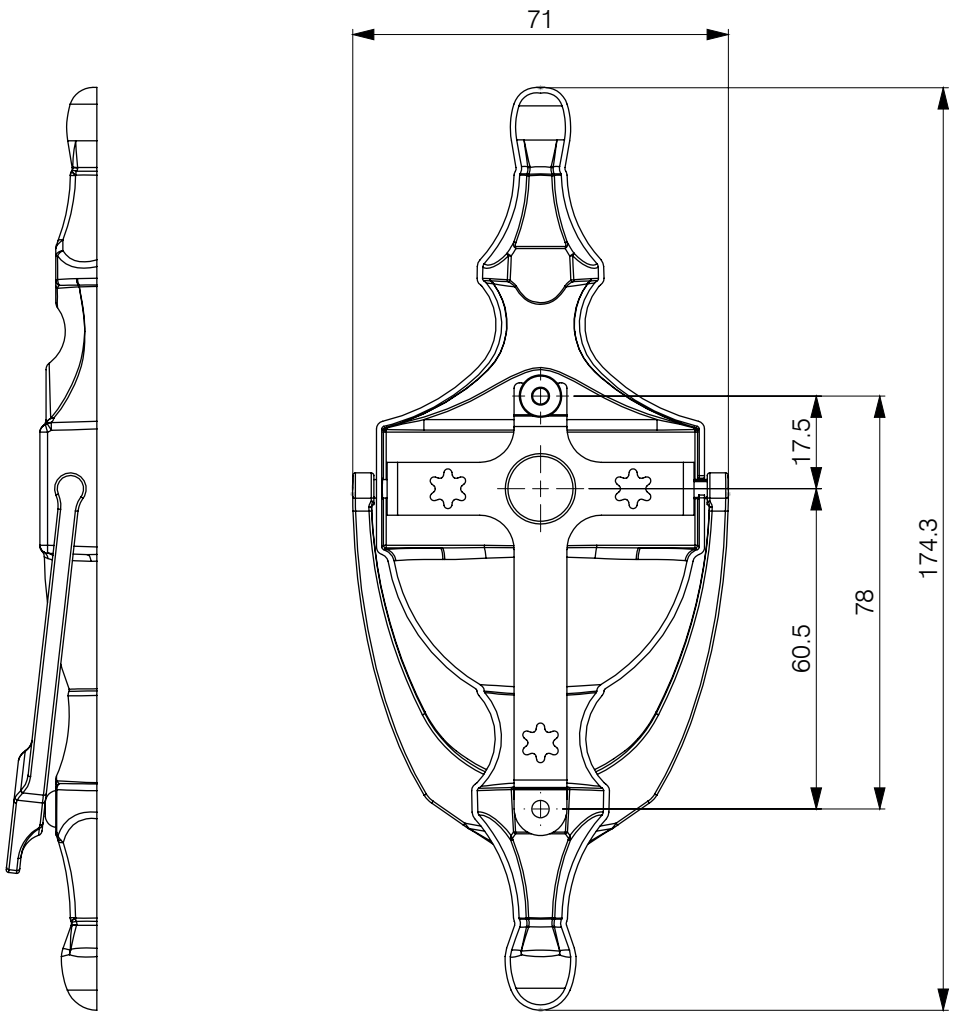


Supplied complete with screws

Supa™ Stainless Steel Door Knockers

Part numbers & dimensional drawings.

Description	Grade	Size	Fixing	Polished Stainless	Brushed Stainless	Polished Gold PVD Stainless	Brushed Gold PVD Stainless
Supa™ Urn Knocker	304	6"	Through	590491	590492	590494	-
Supa™ Urn Knocker	304	6"	Concealed	590461	590462	590464	590463
Supa™ Urn Knocker with hole	304	6"	Through	590531	590532	590534	-
Supa™ Urn Knocker with hole	304	6"	Concealed	590571	590572	590574	590573



Supa™ Stainless Steel Numerals & Letters

Part numbers & dimensional drawings.

Description	Number	Polished Stainless Grade 304	Brushed Stainless Grade 316	Polished Gold PVD Stainless Grade 304	Brushed Gold PVD Stainless Grade 304
Supa™ Number	0	578040	578000	578060	578080
Supa™ Number	1	578041	578001	578061	578081
Supa™ Number	2	578042	578002	578062	578082
Supa™ Number	3	578043	578003	578063	578083
Supa™ Number	4	578044	578004	578064	578084
Supa™ Number	5	578045	578005	578065	578085
Supa™ Number	6	578046	578006	578066	578086
Supa™ Number	7	578047	578007	578067	578087
Supa™ Number	8	578048	578008	578068	578088
Supa™ Number	9	578049	578009	578069	578089
Supa™ Letter	A	578050	578010	578070	578090
Supa™ Letter	B	578051	578011	578071	578091
Supa™ Letter	C	578052	578012	578071	578092
Supa™ Letter	D	578053	578013	578071	578093
Supa™ Letter	E	578054	578014	578071	578094
Supa™ Letter	F	578055	578015	578071	578095



Care & Maintenance

We recommend that you regularly maintain your stainless steel hardware for optimum performance.

Download our Supa™ Stainless Steel Care and Maintenance guide at mila.co.uk/supa

Hardware that starts with **you**.