



Supa™
Stainless Steel
Door Handles

Suitable for PVCu, timber,
aluminium & composite doors

Hardware that starts with **you.**

 **MILA**

Stainless Steel Performance.

Mila's Supa™ door handles combine high quality stainless steel with elegant, modern design.

The Supa™ range has been independently tested beyond industry standards for long-lasting weather resistance and high operational performance, and is guaranteed for 25 years.

Accreditations.



Extreme Durability

BSEN 1906
200,000 cycles



Extreme Durability

BSEN 1906
100 kg lever pull



Corrosion Resistance

BSEN 1670, Grade 5
1000 hours salt spray



Weather Tightness

BSEN 6375
50,000 underload

3 SUPA™ Stainless Steel Finishes.



Brushed Stainless



Polished Stainless



Polished Gold Stainless

Matching stainless steel letterplates and door knockers available.

Elegant Design.

Durable

Manufactured from high quality stainless steel, grade 304

Stylish

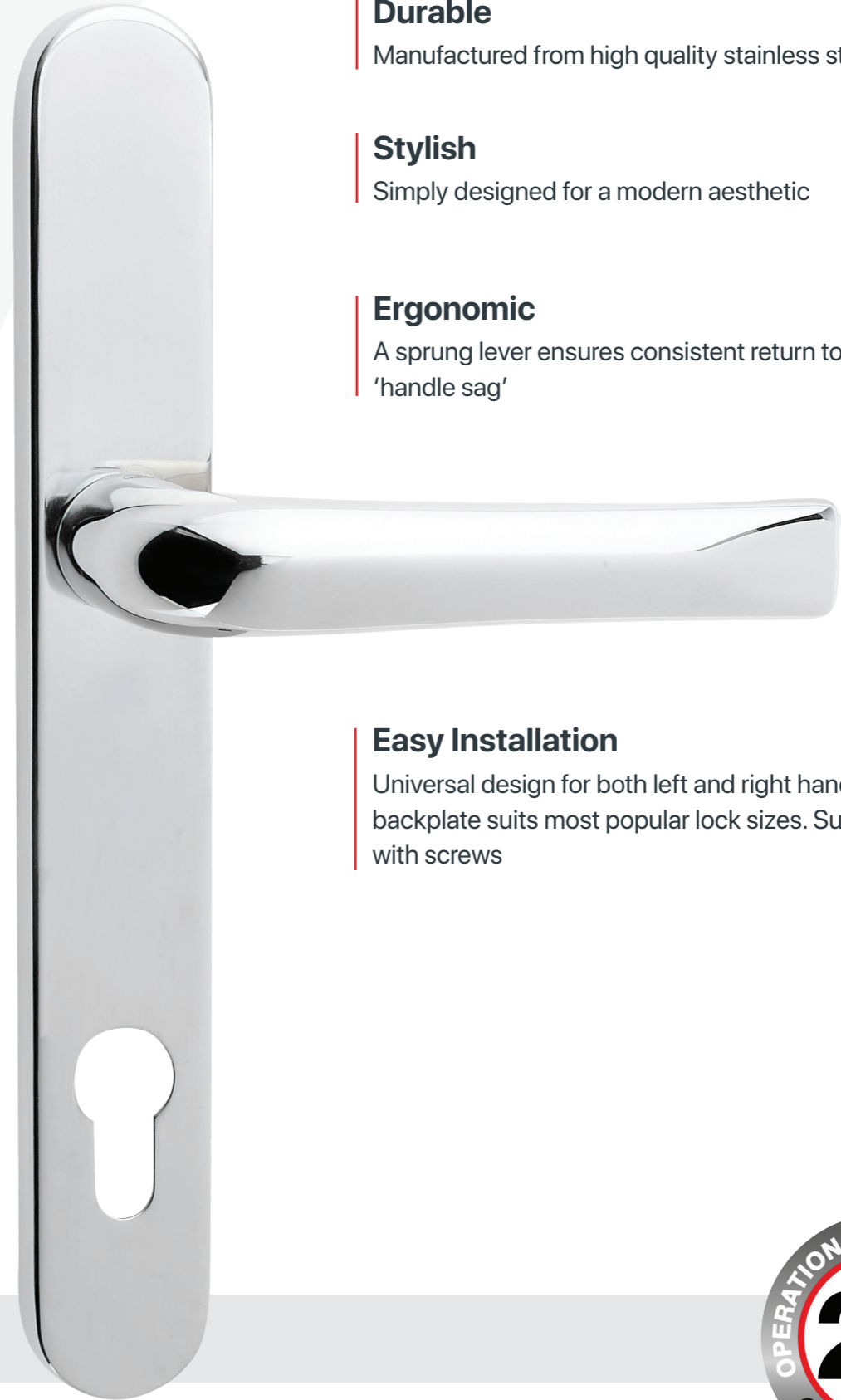
Simply designed for a modern aesthetic

Ergonomic

A sprung lever ensures consistent return to 90° to avoid 'handle sag'

Easy Installation

Universal design for both left and right handed doors. 240mm backplate suits most popular lock sizes. Supplied complete with screws

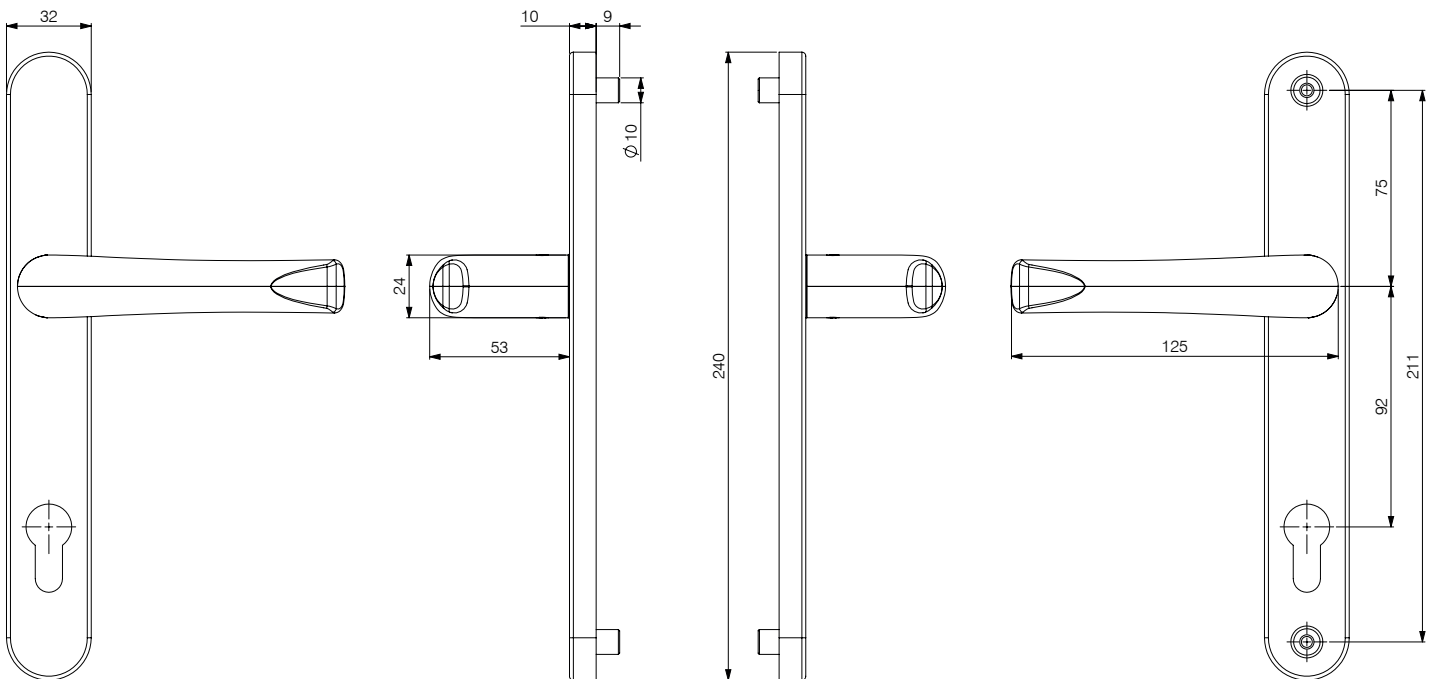


Supa™ Stainless Steel Door Handles

Part Numbers.

Description	Variant	Backplate Size	PZ	Polished Stainless	Brushed Stainless	Polished Gold Stainless
Supa™ Standard Door Handle	Lever/Lever	240mm	92	570501	570502	570504
Supa™ Standard Door Handle	Lever/Pad	240mm	92	570511	570512	570514
Supa™ Standard Door Handle	Lever/Blank	240mm	92	570571	570572	570574
Supa™ Standard Door Handle	Blank	240mm	-	570561	570562	570564
Supa™ Standard Door Handle	Lever/Lever	240mm	92/62	570541	570542	570544
Supa™ Standard Door Handle	Lever/Pad	240mm	92/62	570551	570552	570554

Dimensional Drawings.



Care & Maintenance

We recommend that you regularly maintain your stainless steel door handle for optimum performance.

Download our Supa™ Stainless Steel Care and Maintenance guide at mila.co.uk/supa

