



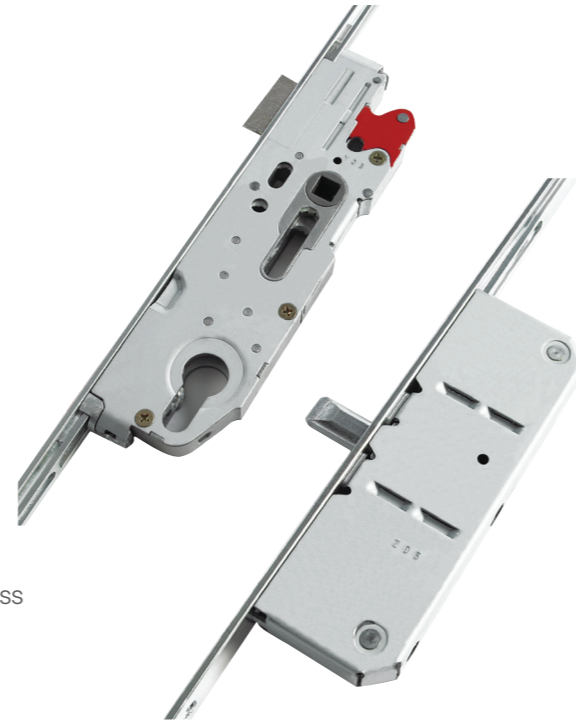
Panic Locks

Combines enhanced security with emergency exit technology for both single and double doors.

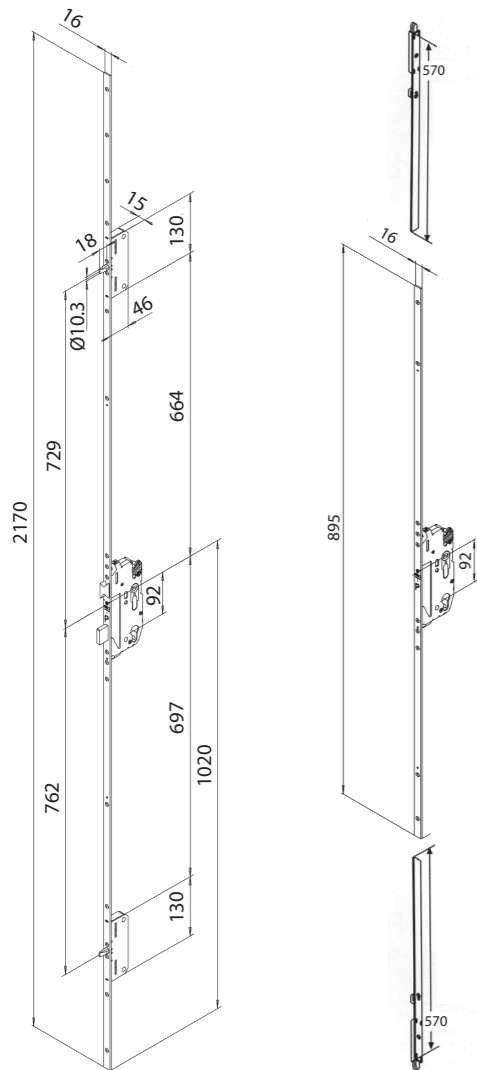
Pin Panic Lock

For Emergency Exit

- Combines enhanced security with emergency exit technology for both single and double doors
- Single door features 3 Pullman locking bolts
- Double door features 3 Pullman locking bolts on primary leaf and twin vertical bolts on secondary leaf
- Carry weight of 100kg per door
- Tested and certified to EN 1125, European standard for Panic Exit Devices
- BS EN 1125 classification: 37601322A
- Suitable for use on PVCU, timber and aluminium doors
- For all applications door will always open from inside to allow emergency egress
- Internal operation via panic bar - finished in exit green
- External access kit available

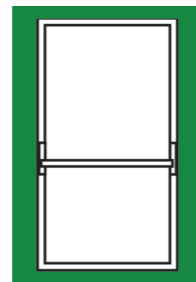


Technical Specification



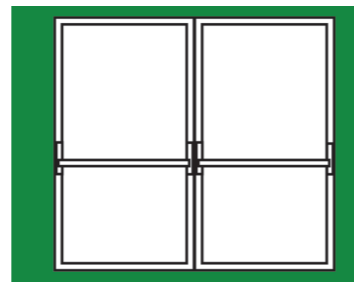
Material Specification

Single Doors Rebate Size
 Minimum Width 800mm
 Maximum Width 1200mm
 Minimum Height 1675mm
 Maximum Height 2135mm



Single Door Kit

Double Doors Rebate Size
 Minimum Width 1600mm
 Maximum Width 2400mm
 Minimum Height 1675mm
 Maximum Height 2135mm



Double Door Kit

Guarantees



Part Numbers

Master/ Single Panic Door Kit
 (includes 1/2 thumbturn cylinder)

Slave Panic Door Kit
 (includes 1/4 thumbturn cylinder)

External Access Kit
 (includes CE free movement cylinder)

PINMASTER

PINSLAVE

043880

Surface Mounted Panic Lock

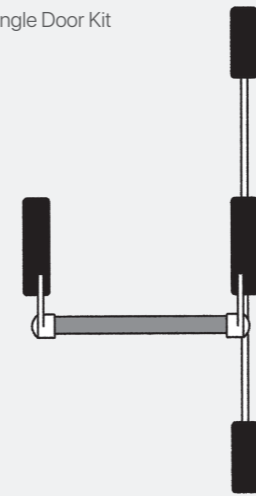
For Emergency Exit

- Multipoint locking system with surface mounted panic bar kit
- Kits available for both single and double doors
- Single door features 3 Pullman locking bolts
- Double door features 3 Pullman locking bolts on primary leaf and twin vertical bolts on secondary leaf
- Carry weight of 100kg per door
- Tested and certified to EN 1125, European standard for Panic Exit Devices
- BS EN 1125 classification: 37601322A
- Internal operation via panic bar
- External access kit available



Technical Specification

Single Door Kit



Material Specification

Single Doors Rebate Size
 Minimum Width 800mm
 Maximum Width 1200mm
 Maximum Height 2500mm



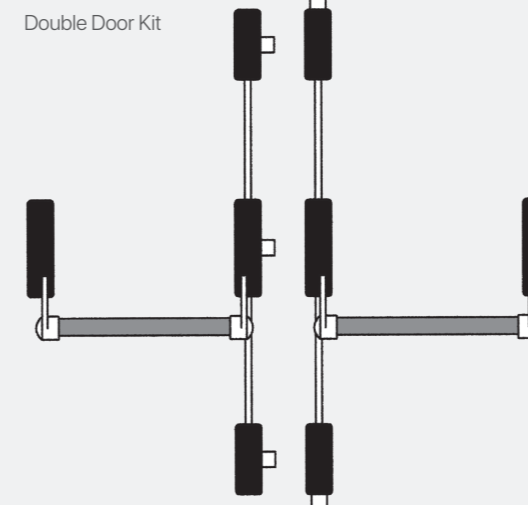
Single Door Kit

Double Doors Rebate Size
 Minimum Width 1600mm
 Maximum Width 2400mm
 Maximum Height 2500mm



Double Door Kit

Double Door Kit



Guarantees



Part Numbers

Primary Panic Door Kit 043961

Secondary Panic Door Kit 043971

External Access Handle - including Cylinder 043980

Panic Door Push Pad 043983

ProSecure Door Hinge

Enhanced Security

- ProSecure is the only hinge on the market supplied fully assembled in one piece ready-to-fit straight from the box
- Proven to be faster to fit than any other security hinges in time trials under test conditions
- Patented adjustment method - rotate your Allen key 90° to achieve +/-5mm lateral adjustment
- Vertical adjustment (+5mm) & compression adjustment (+/-1mm) can also be achieved
- Virtually jigless - only 2 holes to pre-drill
- Captive hinge lid pivots open & closed for fast, easy installation
- Police preferred specification

CE	MILA, DAVENTRY, NN11 8RB. UK	14
1121-CPR-AC5036	EN1935: 2002	1 4 3 0 1 4 0 9



Polished Gold



Polished Chrome



Smokey Chrome



Smooth Satin Chrome



White



Black



Light Oak



Brown

Evolution Door Hinge

Enhanced Security

- 3 dimensional adjustment - lateral (+/- 4mm), vertical (+4mm) & compression (+/-1mm) for easy installation
- Adjustment achieved with an Allen key without the need to dismount the door leaf
- Tested to the operational performance and enhanced security requirements of PAS 024
- Meets the Police Preferred Specification requirements of Secured by Design
- Cycle tested to 100,000 cycles, more than twice the industry requirement
- Tested to BS EN 1935 - the European standard which specifies requirements for single-axis hinges for windows and doors opening in one direction only, whose rotation axis is no more than 30 mm from the face of the sash or door.

CE	MILA, DAVENTRY, NN11 8RB. UK	14
1121-CPR-AC5036	EN1935: 2002	1 4 3 0 1 4 0 9



Polished Gold



Polished Chrome



Smokey Chrome



Smooth Satin Chrome



White



Black



Light Oak



Brown