

Secured by Design



Police Preferred Specification

Ingenious Multipoint Door Locks

A range of enhanced security door locks, shootbolts & strikers.



Ingenious
Locks &
Hardware

together
with



MILA

A match made
in Hardware.



Duplex™

Twin hook locking points provide next-generation enhanced security.

High security, cast zinc hooks, provide anti-lift technology & a **unique** pincer movement for a strong vice-like grip.

The UK's only door lock with Duplex™ security technology.

Professional

Enhanced security, multipoint door locks with upward-locking, single hooks.



Ingenious
Locks &
Hardware

together
with  **MILA**

Autofire™

Robust, enhanced security latches, automatically activated, rapidly released & individually triggered.

Innovative Autofire strikers ensure extra smooth operation.

Standard 4 Latches & Central Gearbox

Heritage Style 3 Latches & Higher Gearbox



Ingenious
Locks &
Hardware

together
with  **MILA**

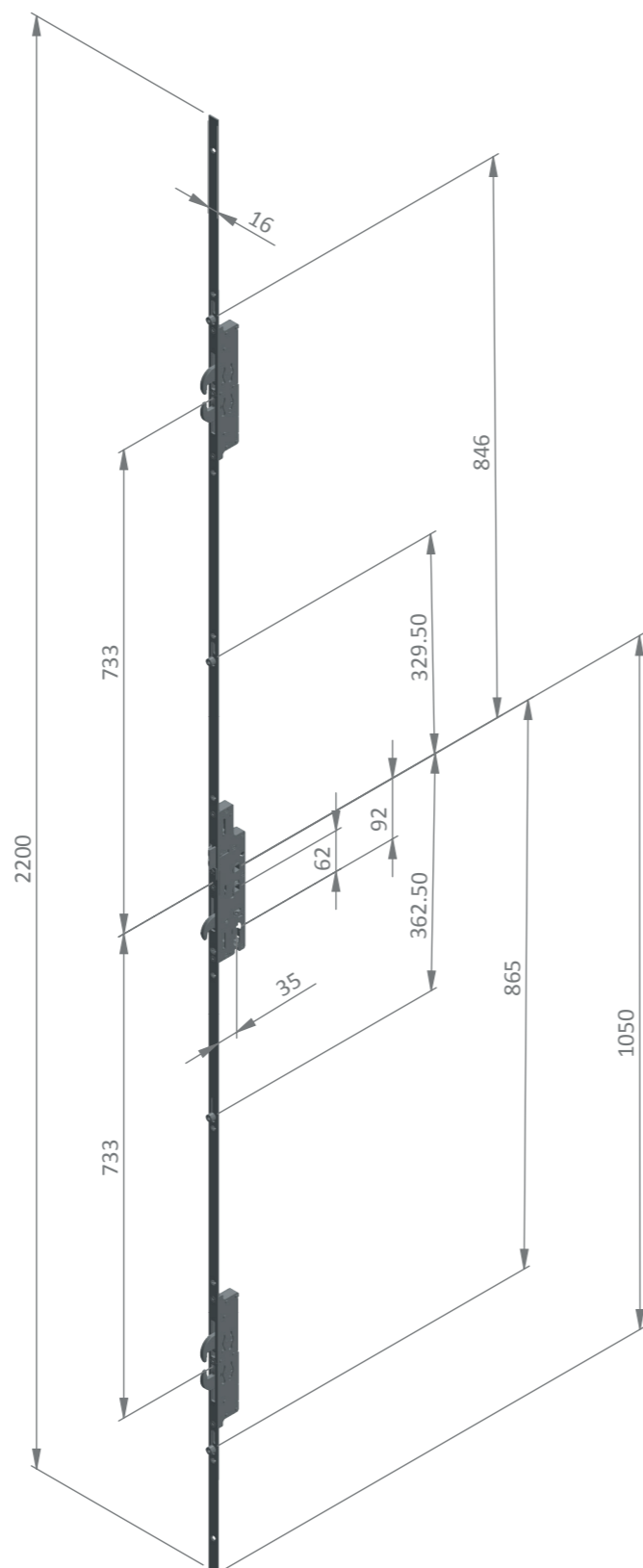
Ingenious Multipoint Door Locks

Choose Your Door Lock

FOR UPVC DOORS		Page
1014 Duplex™ 5 Hook, 4 Roller MPL	for resi doors	08
1013 Duplex™ 5 Hook, 4 Roller MPL	for French doors	10
1006 Professional Secondary Lock	for French doors	12
1011 Professional 3 Hook, 4 Roller MPL	for resi doors	14
1012 Professional 3 Hook, 4 Roller MPL	for French doors	16
FOR COMPOSITE DOORS		
1009 Duplex™ 5 Hook MPL	45mm BS	18
1010 Duplex™ 5 Hook MPL	35mm BS	19
1007 Professional 3 Hook MPL	45mm BS	20
1030 Professional 3 Hook MPL	35mm BS	21
1044 Autofire Heritage 3 Latch		22
1045 Autofire Standard 4 Latch		24
1118 Autofire Striker		26
FOR ALUMINIUM DOORS		
1031 Duplex 5 Hook MPL		28
PART NUMBERS	for all locks, strikers and packers	30

1014 For UPVC Residential Doors

Duplex™ 5 Hook, 4 Roller MPL



Specification

Faceplate: 16mm

Backset: 35mm

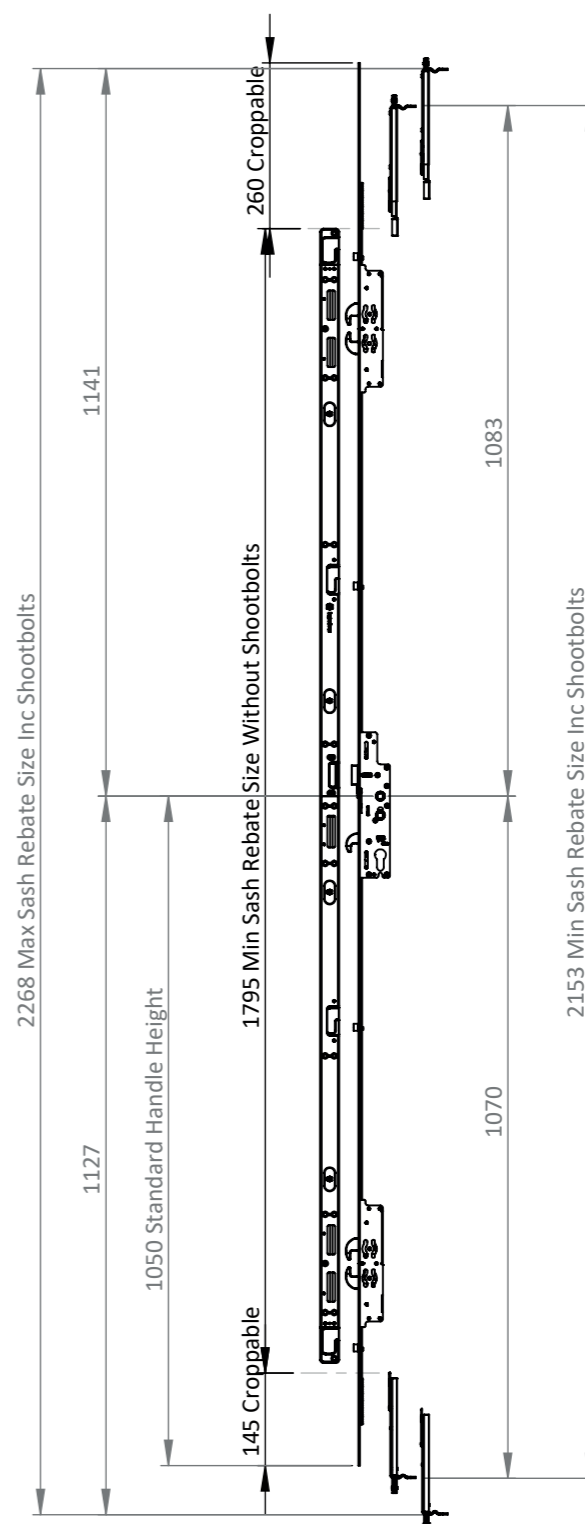
PZ Centres: 92 & 92/62

Locking Points: 2 pairs of Duplex hooks & 4 roller cams, compression adjustable +/- 2mm

Centre Lockcase: reversible latch & centre hook

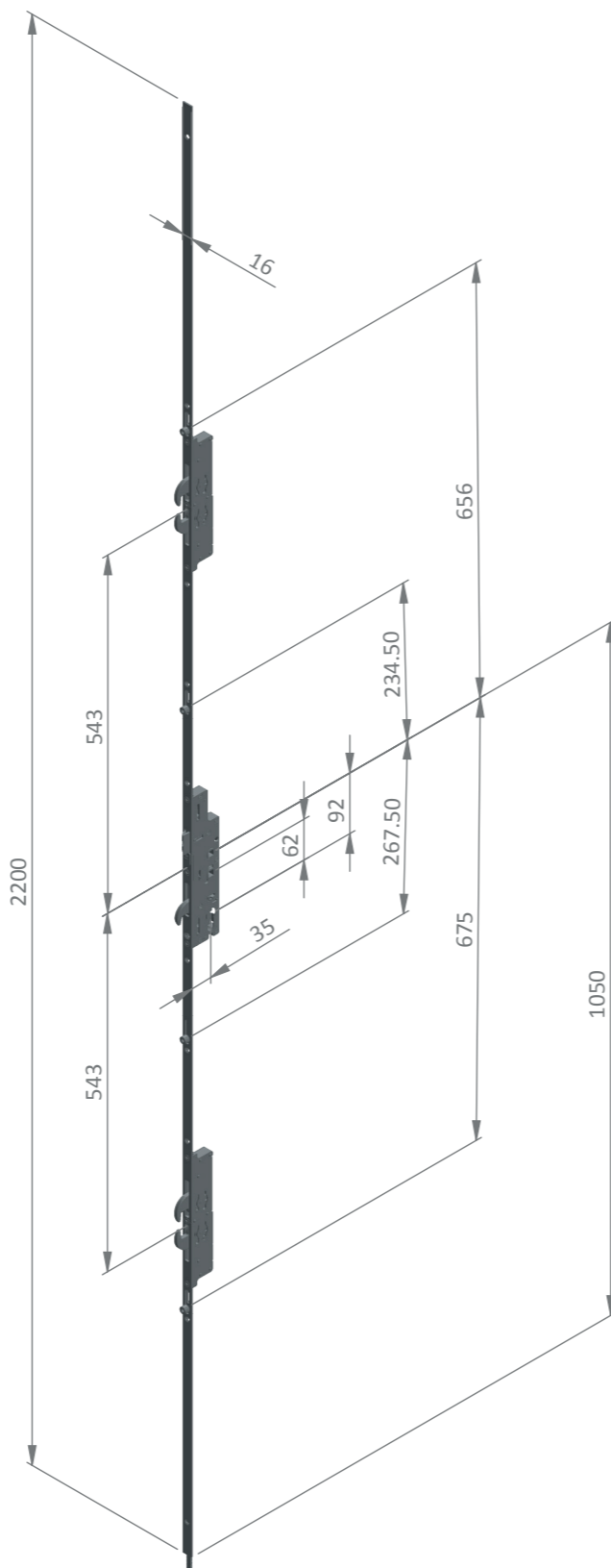
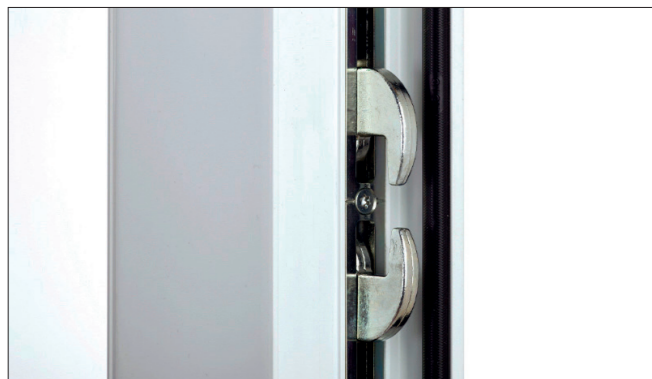
Extendable: to accommodate shootbolts

Box Qty: 5



1013 For UPVC French Doors

Duplex™ 5 Hook, 4 Roller MPL



Specification

Faceplate: 16mm

Backset: 35mm

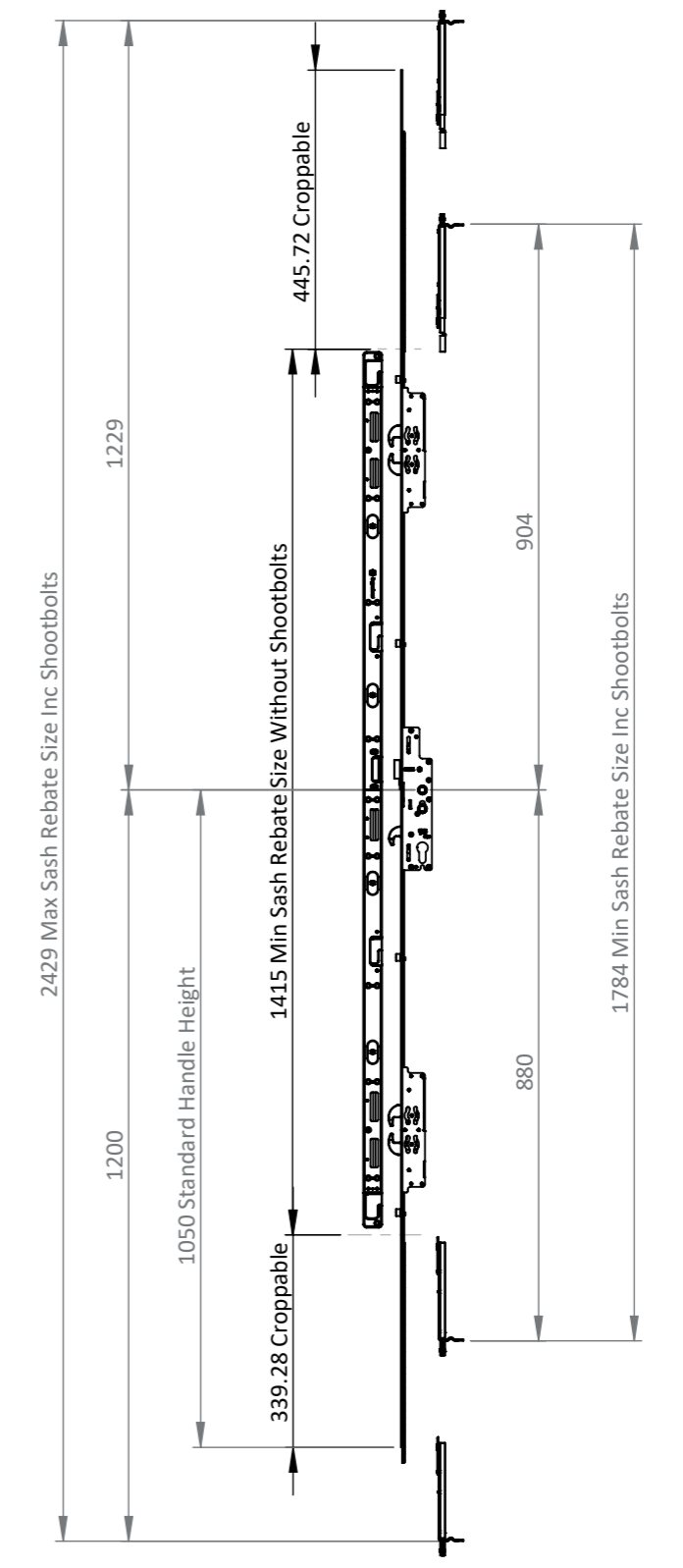
PZ Centres: 92 & 92/62

Locking Points: 2 pairs of Duplex hooks & 4 roller cams, compression adjustable +/- 2mm

Centre Lockcase: reversible latch & centre hook

Extendable: to accommodate shootbolts

Box Qty: 5



1006 Professional Secondary Lock



Specification

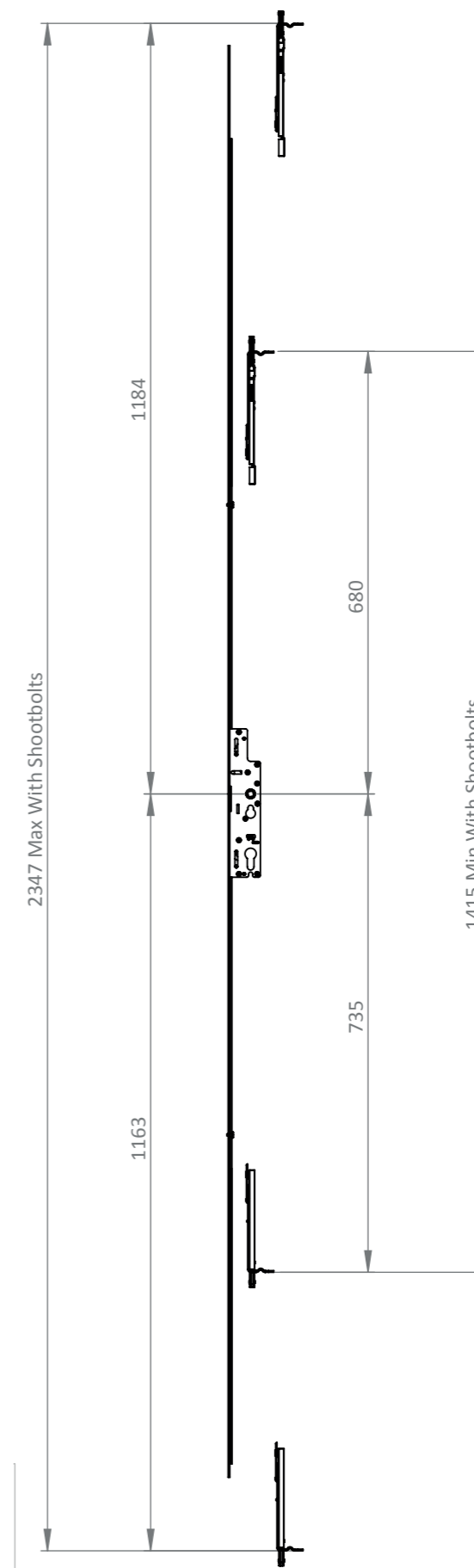
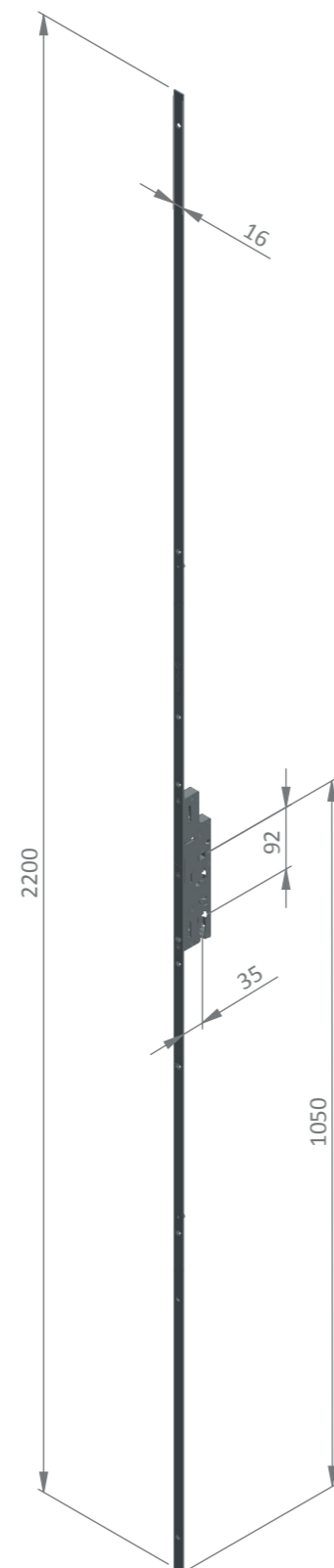
Faceplate: 16mm

Backset: 35mm

PZ Centres: 92

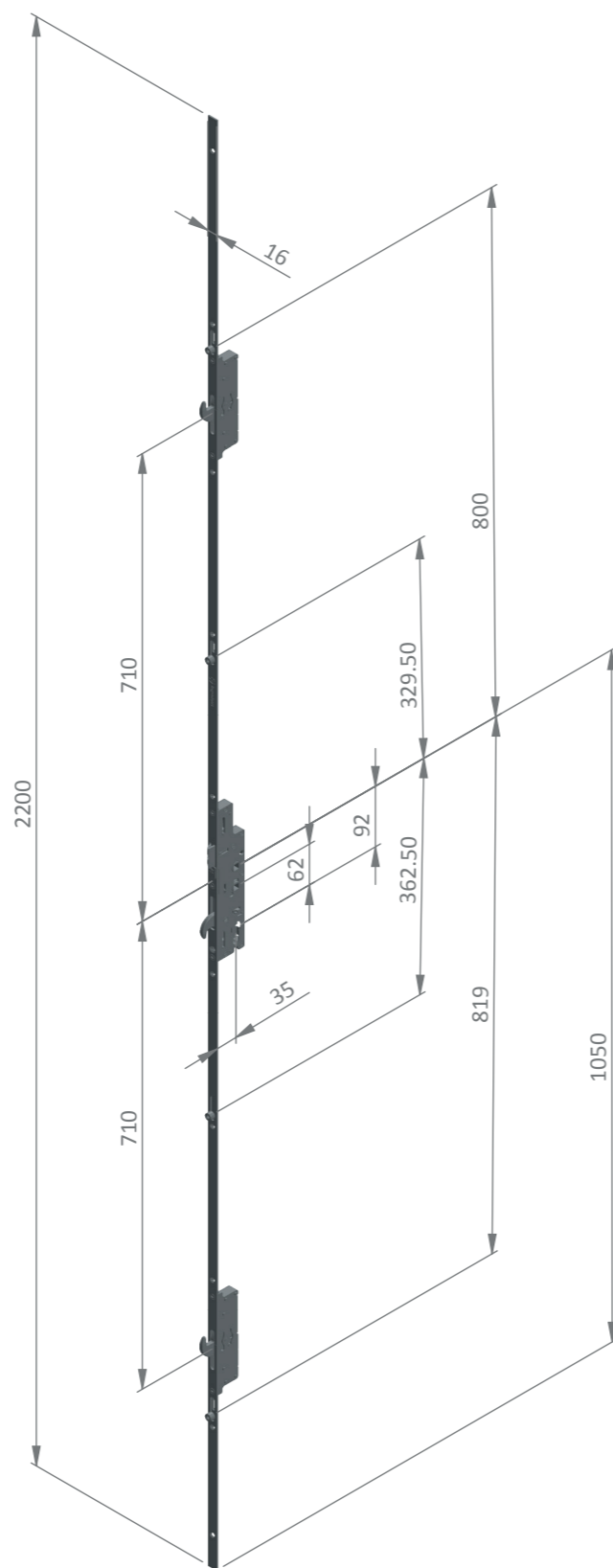
Extendable: to accommodate shootbolts

Box Qty: 5



1011 For UPVC Residential Doors

Professional 3 Hook, 4 Roller MPL



Specification

Faceplate: 16mm

Backset: 35mm

PZ Centres: 92 & 92/62

Locking Points: 2 single hooks & 4 roller cams, compression adjustable +/- 2mm

Centre Lockcase: reversible latch & centre hook

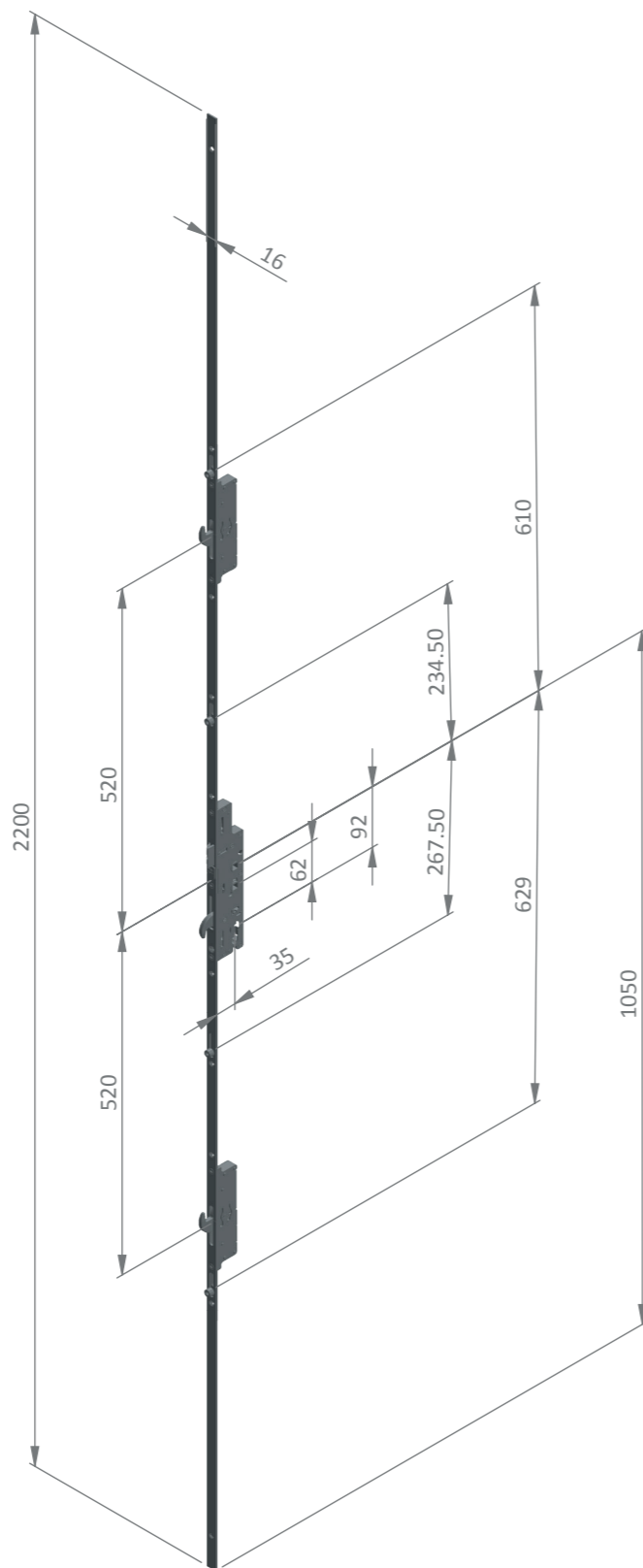
Extendable: to accommodate shootbolts

Box Qty: 5



1012 For UPVC French Doors

Professional 3 Hook, 4 Roller MPL



Specification

Faceplate: 16mm

Backset: 35mm

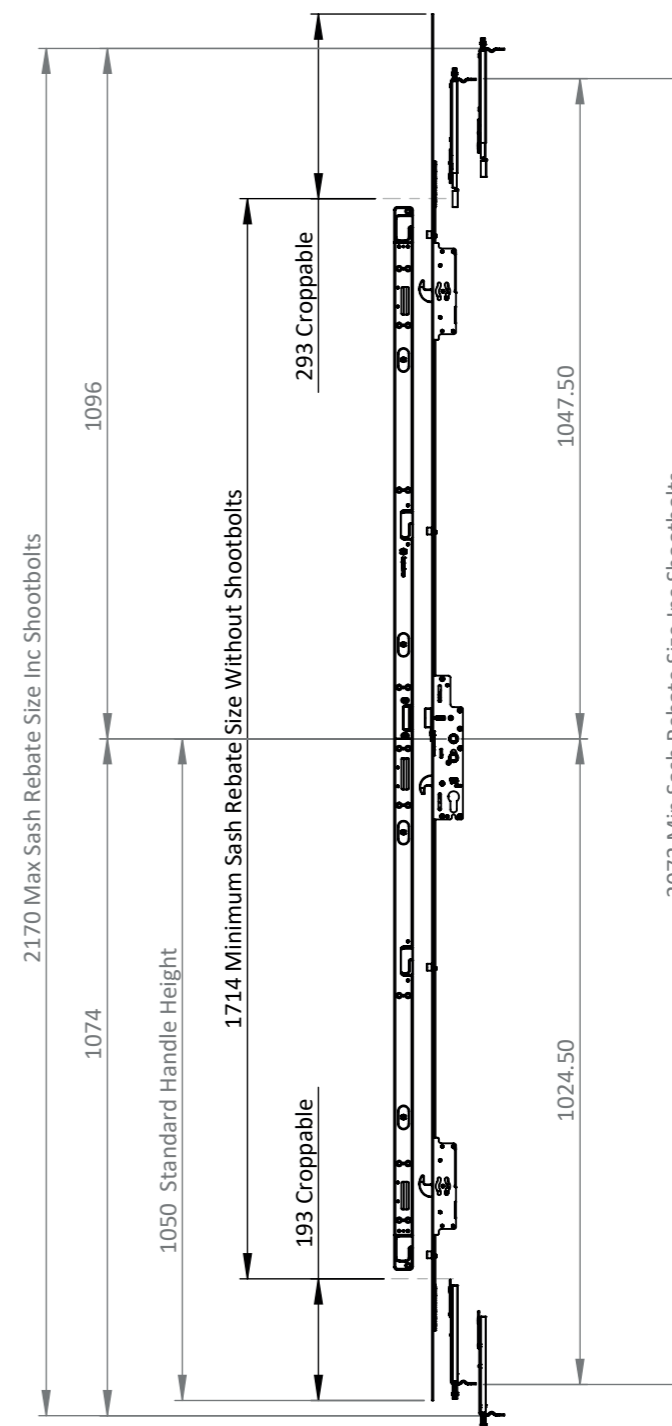
PZ Centres: 92 & 92/62

Locking Points: 2 single hooks & 4 roller cams, compression adjustable +/- 2mm

Centre Lockcase: reversible latch & centre hook

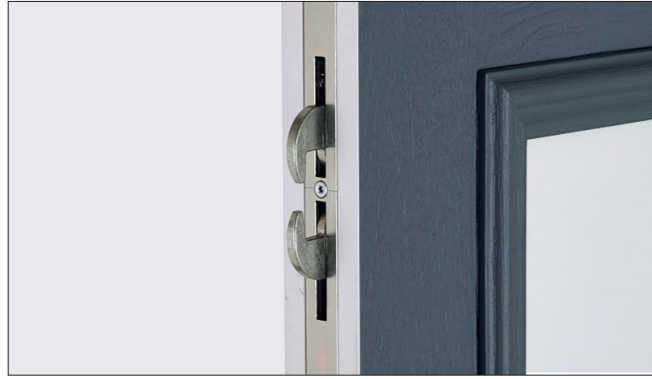
Extendable: to accommodate shootbolts

Box Qty: 5



1009 For Composite Doors

Duplex™ 5 Hook MPL



Specification

Faceplate: 20mm with radius ends

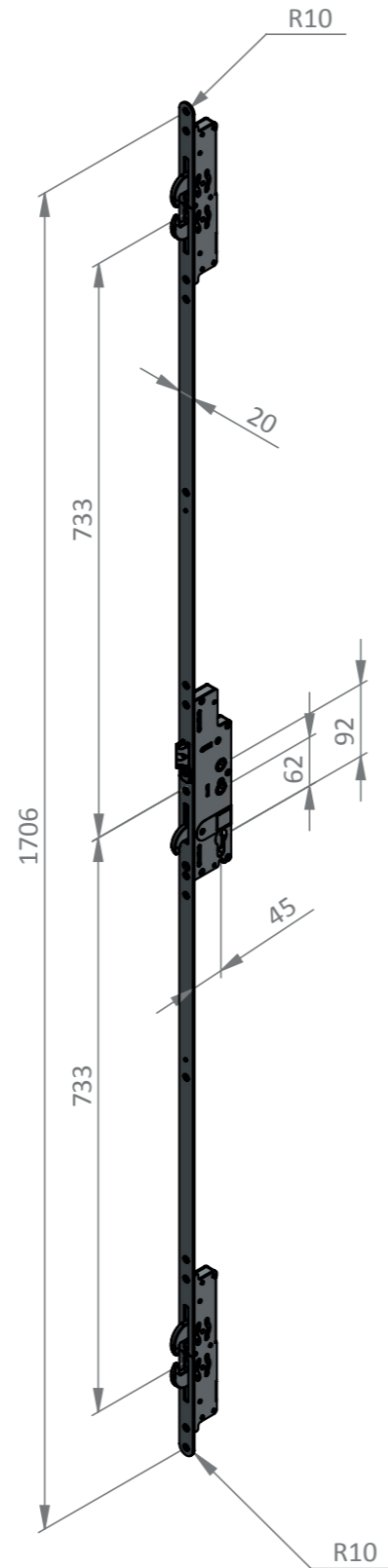
Backset: 45mm

PZ Centres: 92 & 92/62

Locking Points: 2 pairs of Duplex hooks

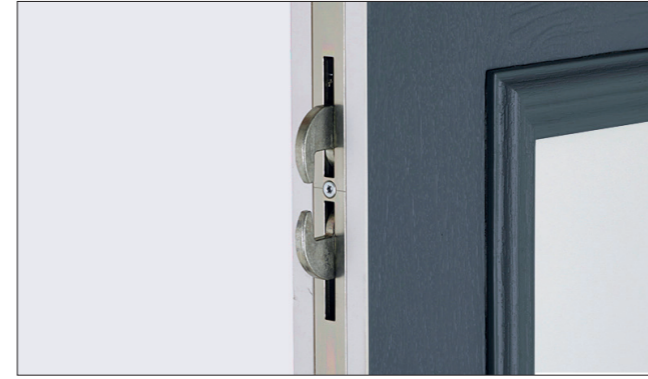
Centre Lockcase: reversible latch & centre hook

Box Qty: 5



1010 For Composite Doors

Duplex™ 5 Hook MPL



Specification

Faceplate: 20mm with radius ends

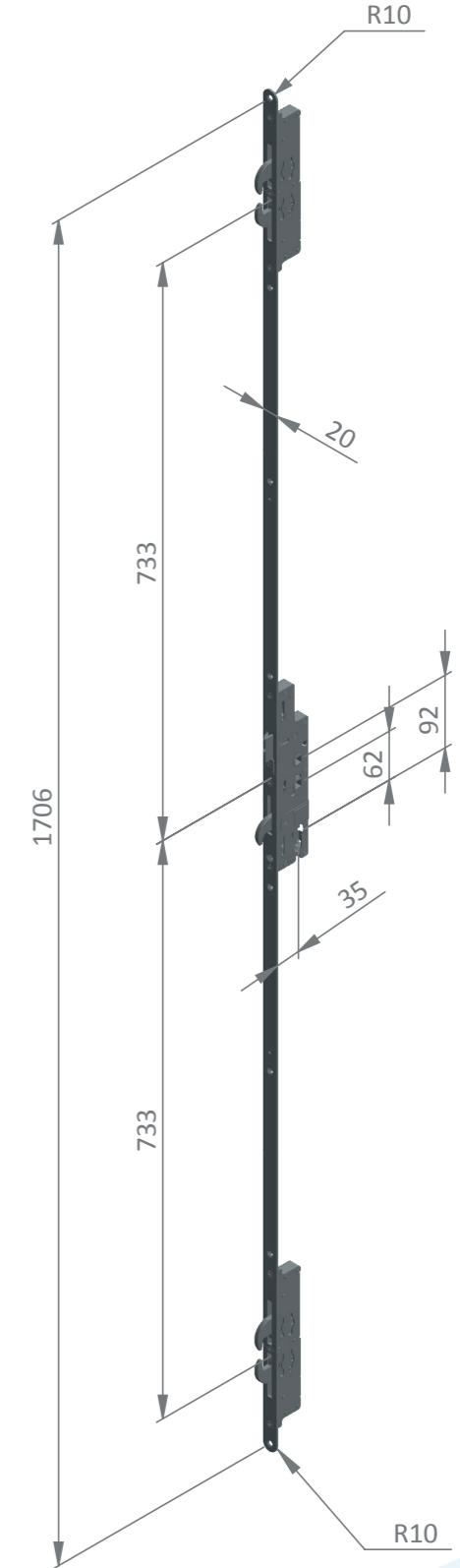
Backset: 35mm

PZ Centres: 92 & 92/62

Locking Points: 2 pairs of Duplex hooks

Centre Lockcase: reversible latch & centre hook

Box Qty: 5



1007 For Composite Doors

Professional 3 Hook MPL



Specification

Faceplate: 20mm with radius ends

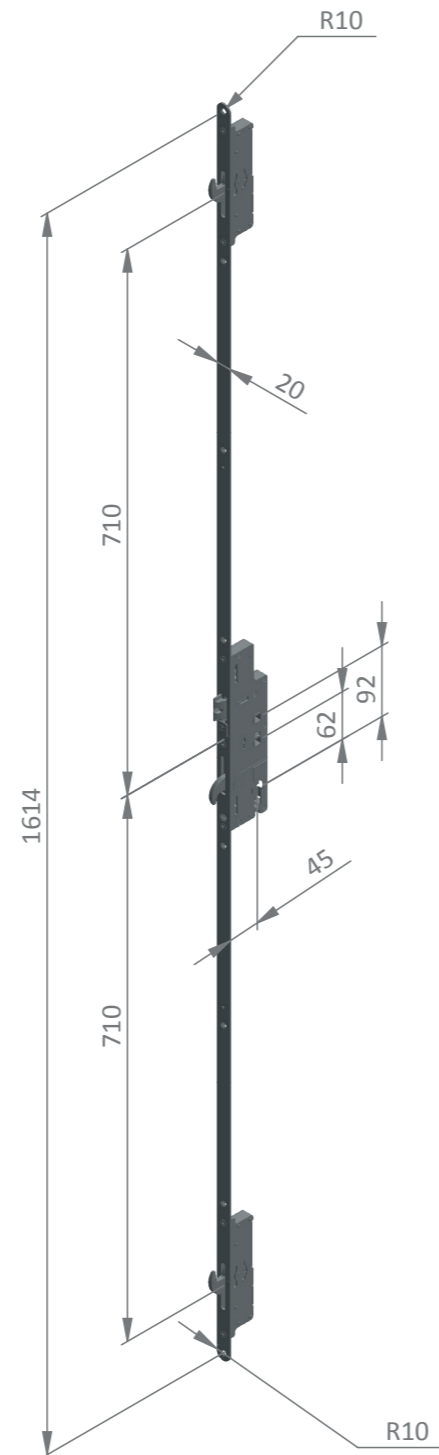
Backset: 45mm

PZ Centres: 92 & 92/62

Locking Points: 2 single hooks

Centre Lockcase: reversible latch & centre hook

Box Qty: 5



1030 For Composite Doors

Professional 3 Hook MPL



Specification

Faceplate: 20mm with radius ends

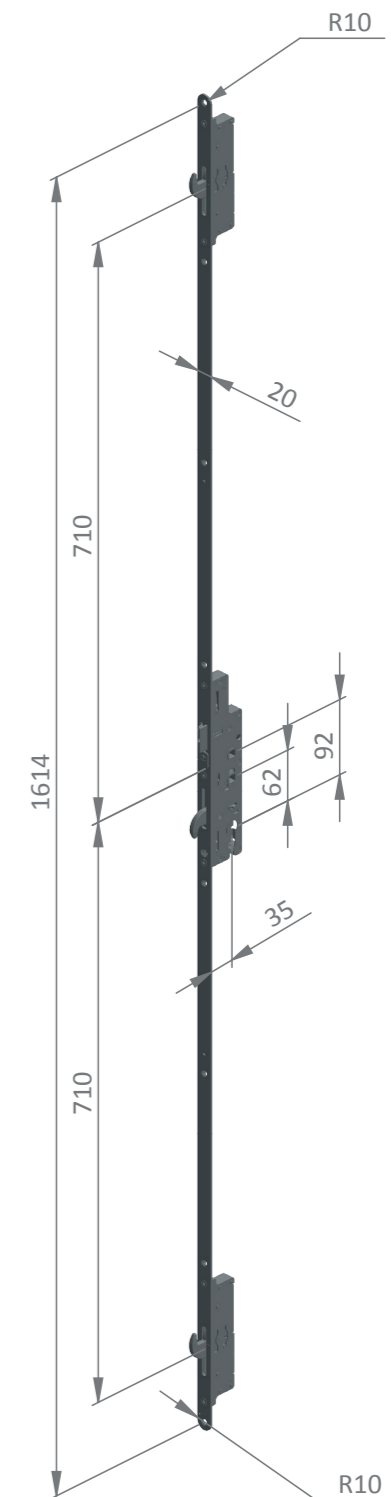
Backset: 35mm

PZ Centres: 92 & 92/62

Locking Points: 2 single hooks

Centre Lockcase: reversible latch & centre hook

Box Qty: 5



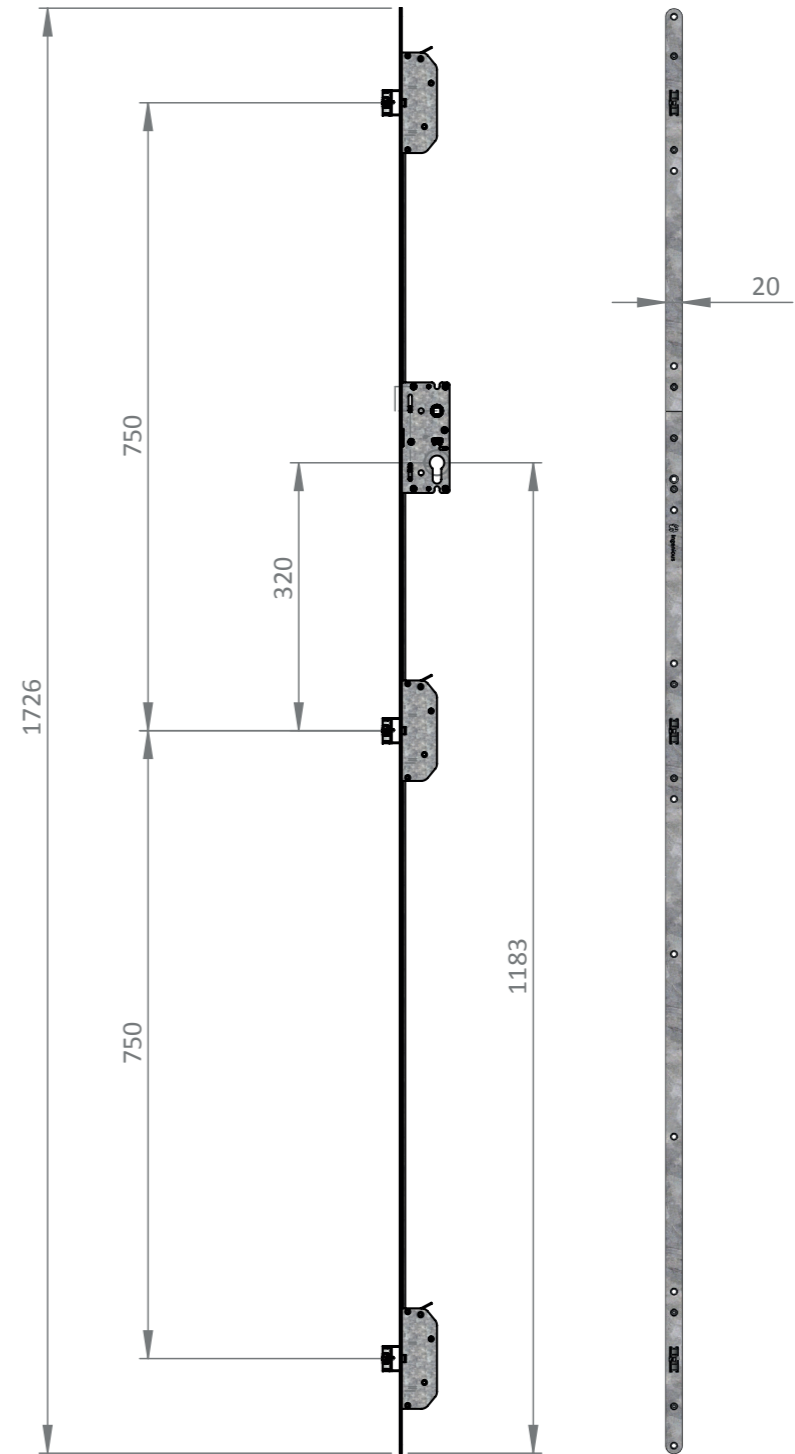
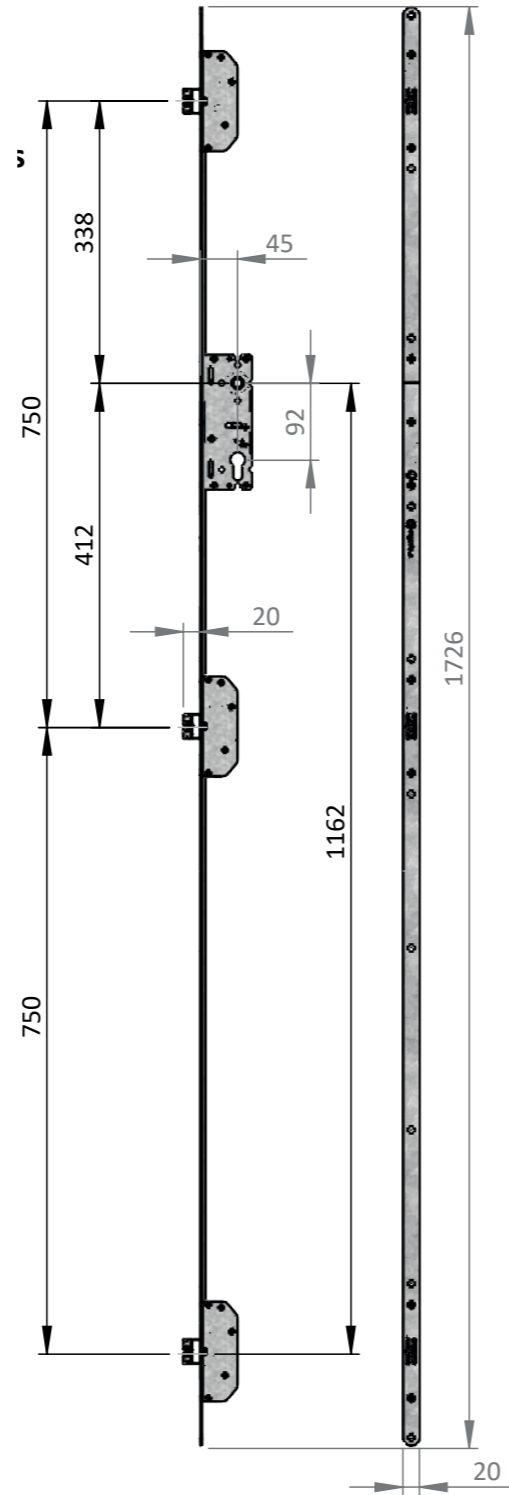
1044 For Composite Doors

Autofire Heritage 3 Latch MPL



Specification

- Faceplate: 20mm with radius ends
- Backset: 45mm
- PZ Centres: 92
- Locking Points: 3 latches, individually triggered
- Box Qty: 5



1045 For Composite Doors

Autofire Standard 4 Latch MPL



Specification

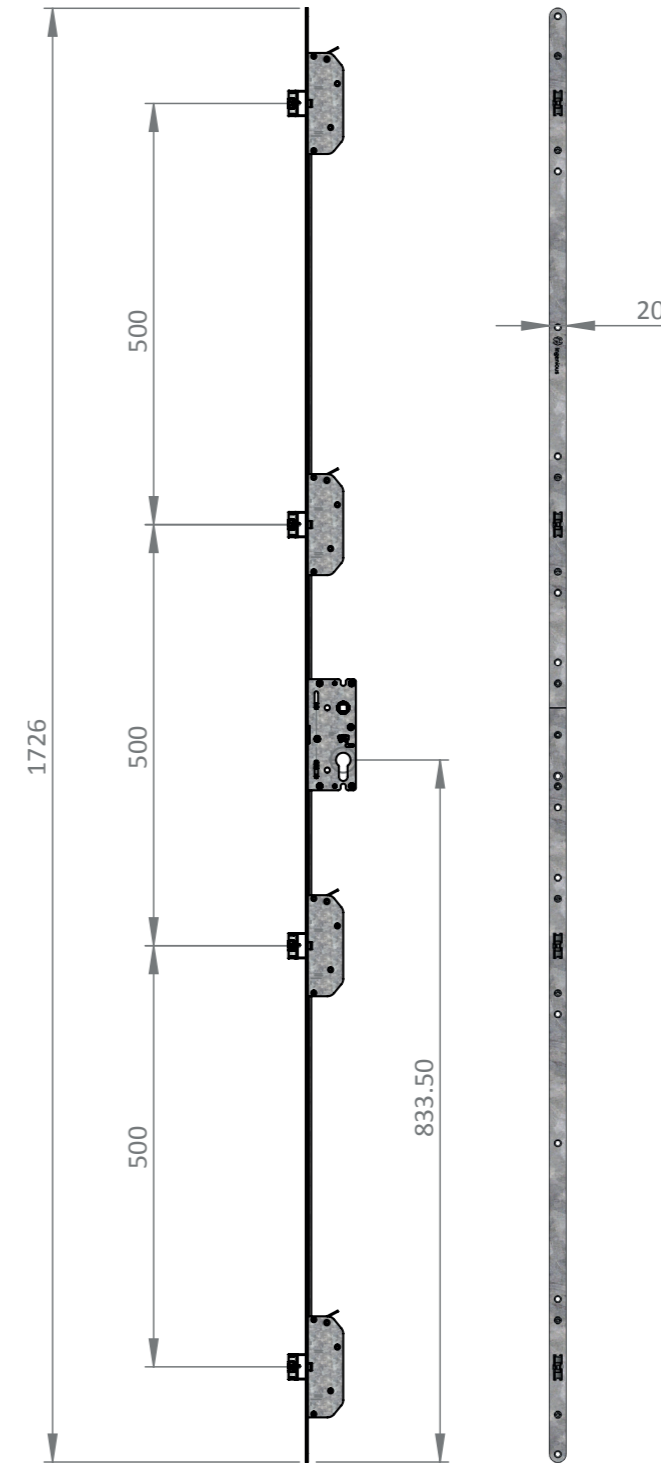
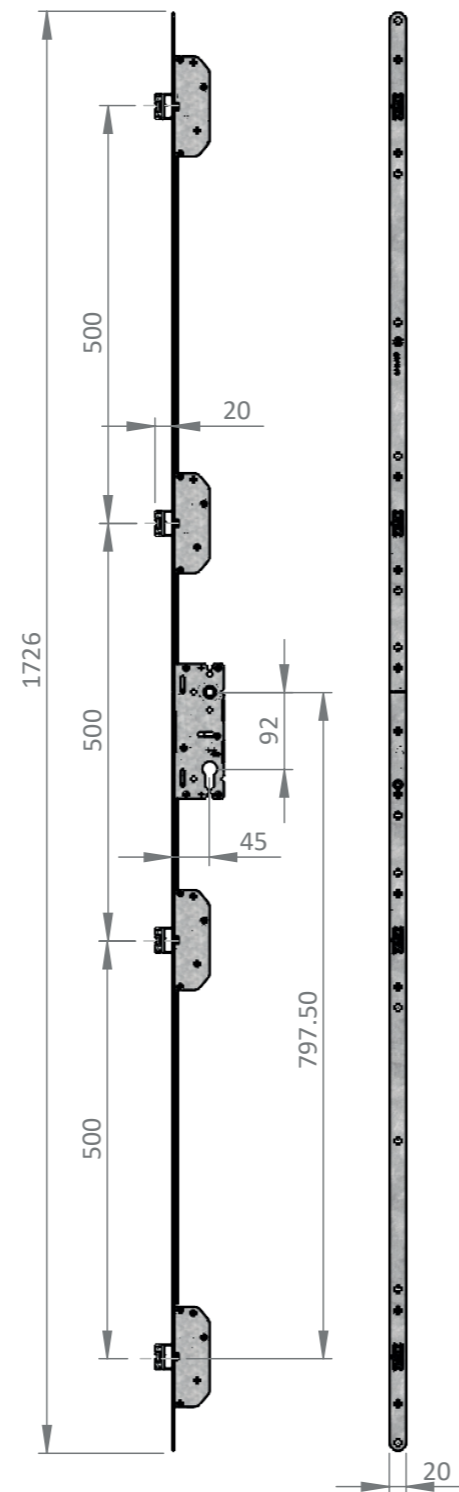
Faceplate: 20mm with radius ends

Backset: 45mm

PZ Centres: 92

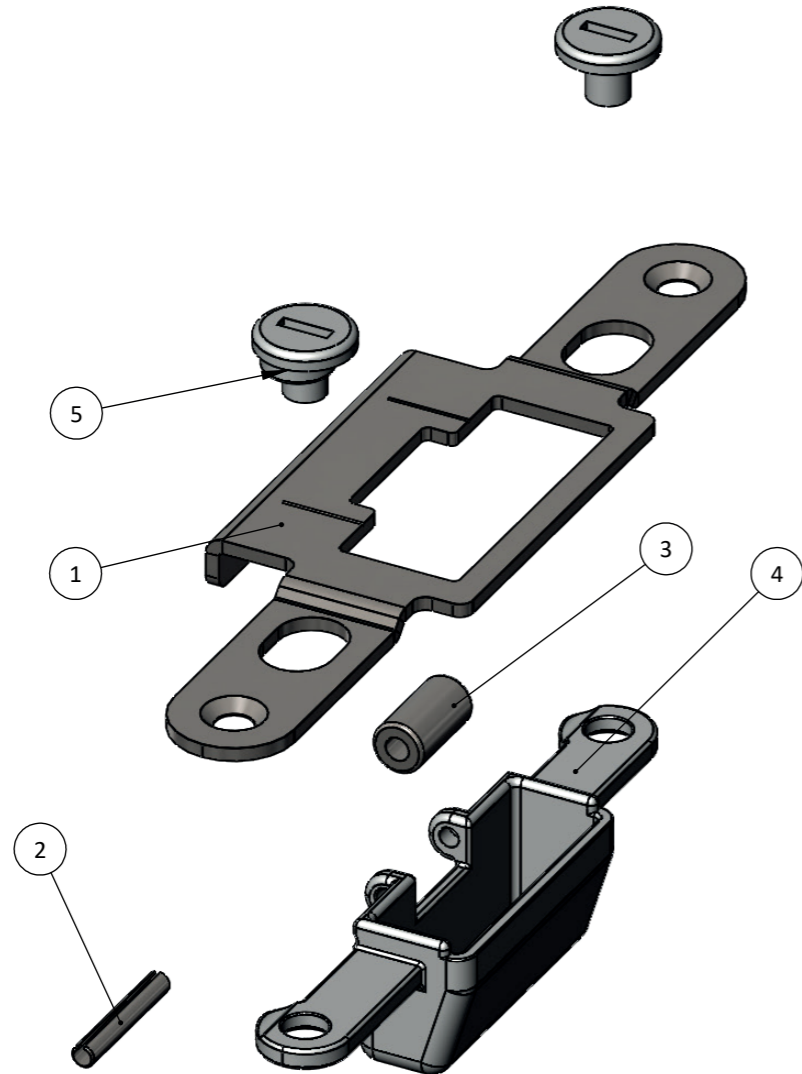
Locking Points: 4 latches, individually triggered

Box Qty: 5



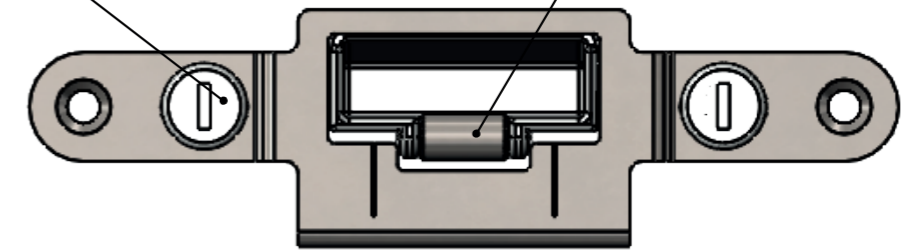
11118 For 48mm Composite Doors

Autofire Striker



Set adjustment cams
In mid position

Ensure Roller rotates freely



Rivet over adjuster cam studs



Item no.	Part no.	Description	Qty
1	C-11196	Autofire Lock Keep 48mm Slab Base Pressing	1
2	C-11200	Autofire Lock Keep Roller Tension Roll Pin	1
3	C-11199	Autofire Lock Keep Roller	1
4	C-11197	Autofire Lock Keep Adjustment Bucket Casting	1
5	C-11198	Autofire Lock Keep Adjuster Cam	2

1031 For Aluminium Doors

Duplex™ 5 Hook MPL



Specification

Faceplate: 24mm x 7mm u-track

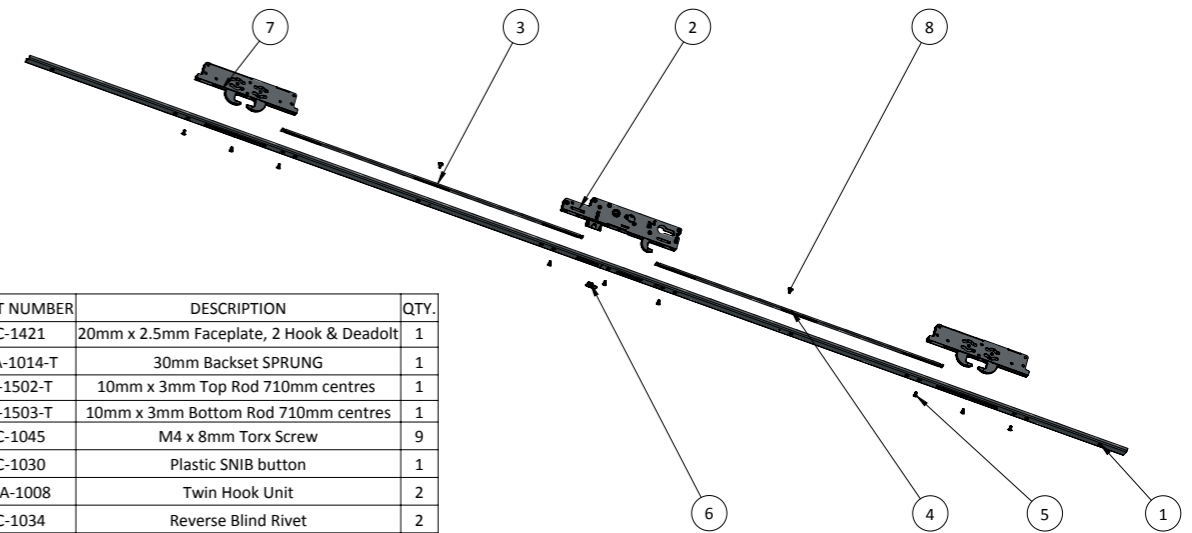
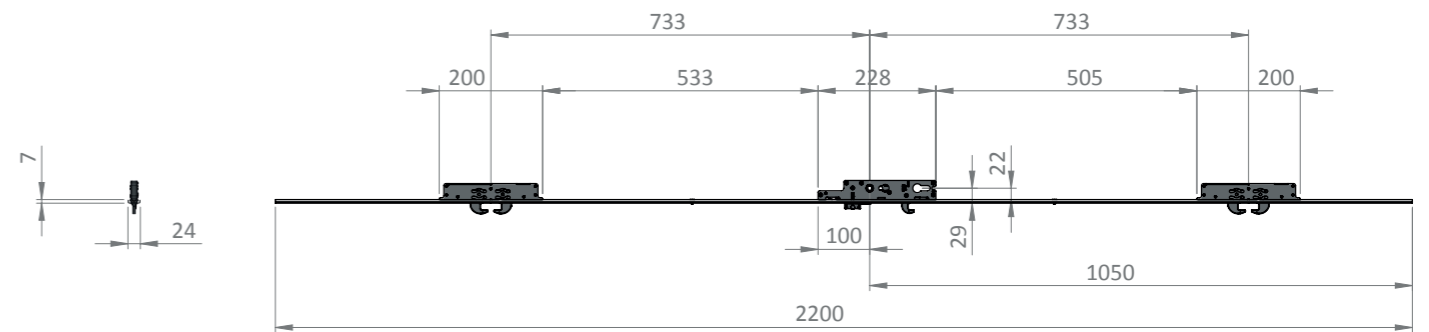
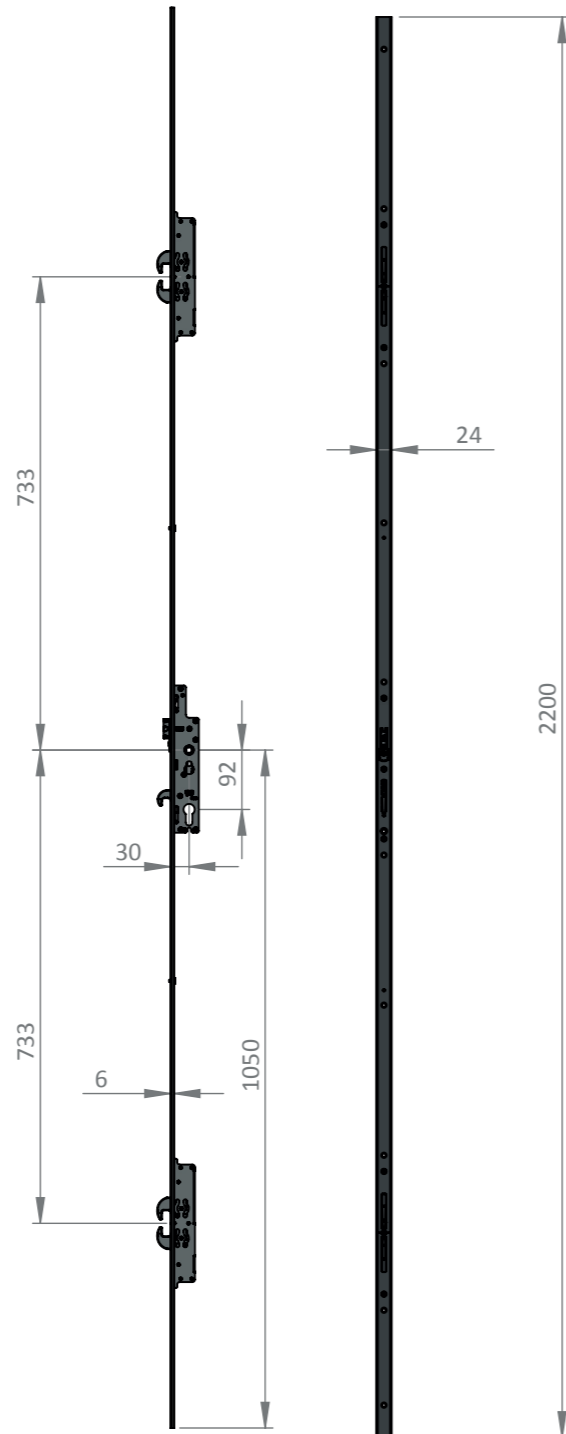
Backset: 30mm

PZ Centres: 92

Locking Points: 2 pairs of Duplex hooks

Centre Lockcase: reversible latch & centre hook

Box Qty: 5



ITEM NO.	PART NUMBER	DESCRIPTION	QTY.
1	C-1421	20mm x 2.5mm Faceplate, 2 Hook & Deadolt	1
2	CA-1014-T	30mm Backset SPRUNG	1
3	C-1502-T	10mm x 3mm Top Rod 710mm centres	1
4	C-1503-T	10mm x 3mm Bottom Rod 710mm centres	1
5	C-1045	M4 x 8mm Torx Screw	9
6	C-1030	Plastic SNIB button	1
7	CA-1008	Twin Hook Unit	2
8	C-1034	Reverse Blind Rivet	2

At a glance

Part numbers

Enhanced UPVC Locks

Ingenious Part Number	Mila Part Number	Description
1014	432006	Ingenious Duplex 5 Hook, 4 Roller, Resi Door MPL Reversible Latch, 16mm FP, 35mm BS, Ext (boxed in 5)
1014-SPG	432009	Ingenious Duplex 5 Hook, 4 Roller, Resi Door MPL Reversible Latch, 16mm FP, 35mm BS, Ext (boxed in 5) SPRUNG
1134	432108	Ingenious 13mm Duplex One Piece Keep, Left Hand, 5 Hook, 4 Roller, to suit MPL 1014
1135	432109	Ingenious 13mm Duplex One Piece Keep, Right Hand, 5 Hook, 4 Roller, to suit MPL 1014
	432117	Ingenious 13mm Duplex One Piece Keep, Left Hand, 5 Hook, 4 Roller, to suit MPL 1014 with packer 1320 fitted
	432118	Ingenious 13mm Duplex One Piece Keep, Right Hand, 5 Hook, 4 Roller, to suit MPL 1014 with packer 1320 fitted
	432121	Ingenious 13mm Duplex One Piece Keep, Left Hand, 5 Hook, 4 Roller, to suit MPL 1014 with packer 1322 fitted
	432122	Ingenious 13mm Duplex One Piece Keep, Right Hand, 5 Hook, 4 Roller, to suit MPL 1014 with packer 1322 fitted
	432125	Ingenious 13mm Duplex One Piece Keep, Left Hand, 5 Hook, 4 Roller, to suit MPL 1014 with packer 1327 fitted
	432126	Ingenious 13mm Duplex One Piece Keep, Right Hand, 5 Hook, 4 Roller, to suit MPL 1014 with packer 1327 fitted
1013	432007	Ingenious Duplex 5 Hook, 4 Roller, French Door MPL Reversible Latch, 16mm FP, 35mm BS, Ext (boxed in 5)
1013-SPG	432008	Ingenious Duplex 5 Hook, 4 Roller, French Door MPL Reversible Latch, 16mm FP, 35mm BS, Ext (boxed in 5) SPRUNG
1136	432110	Ingenious 13mm Duplex One Piece Keep, Left Hand, 5 Hook, 4 Roller, to suit MPL 1013
1137	432111	Ingenious 13mm Duplex One Piece Keep, Right Hand, 5 Hook, 4 Roller, to suit MPL 1013
	432119	Ingenious 13mm Duplex One Piece Keep, Left Hand, 5 Hook, 4 Roller, to suit MPL 1013 with packer 1320 fitted
	432120	Ingenious 13mm Duplex One Piece Keep, Right Hand, 5 Hook, 4 Roller, to suit MPL 1013 with packer 1320 fitted
	432123	Ingenious 13mm Duplex One Piece Keep, Left Hand, 5 Hook, 4 Roller, to suit MPL 1013 with packer 1322 fitted
	432124	Ingenious 13mm Duplex One Piece Keep, Right Hand, 5 Hook, 4 Roller, to suit MPL 1013 with packer 1322 fitted
	432127	Ingenious 13mm Duplex One Piece Keep, Left Hand, 5 Hook, 4 Roller, to suit MPL 1013 with packer 1327 fitted
	432128	Ingenious 13mm Duplex One Piece Keep, Right Hand, 5 Hook, 4 Roller, to suit MPL 1013 with packer 1327 fitted

Standard UPVC Locks

Ingenious Part Number	Mila Part Number	Description
1011	432002	Ingenious Professional 3 Hook 4 Roller Resi Door MPL Reversible Latch, 16mm FP, 35mm BS, Ext (boxed in 5)
1011-SPG	432003	Ingenious Professional 3 Hook 4 Roller Resi Door MPL Reversible Latch, 16mm FP, 35mm BS, Ext (boxed in 5) SPRUNG
1130	432102	Ingenious 13mm One Piece Keep, Left Hand, 3 Hook, 4 Roller, to suit MPL 1011 (boxed in 10)
1131	432103	Ingenious 13mm One Piece Keep, Right Hand, 3 Hook, 4 Roller, to suit MPL 1011 (boxed in 10)
1012	432000	Ingenious Professional 3 Hook 4 Roller French Door MPL Reversible Latch, 16mm FP, 35mm BS, Ext (boxed in 5)
1012-SPG	432001	Ingenious Professional 3 Hook 4 Roller French Door MPL Reversible Latch, 16mm FP, 35mm BS, Ext (boxed in 5) SPRUNG
1132	432100	Ingenious 13mm One Piece Keep, Left Hand, 3 Hook, 4 Roller, to suit MPL 1012 (boxed in 10)
1133	432101	Ingenious 13mm One Piece Keep, Right Hand, 3 Hook, 4 Roller, to suit MPL 1012 (boxed in 10)
1006	432400	Ingenious Professional Secondary Door Lock 16mm FP, 35mm BS, Ext (boxed in 5)
1006-SPG	432401	Ingenious Professional Secondary Door Lock 16mm FP, 35mm BS, Ext (boxed in 5) SPRUNG

At a glance

Part numbers Continued

Enhanced Composite Locks

Ingenious Part Number	Mila Part Number	Description
1009	432504	Ingenious Duplex 5 Hook Composite Door MPL Reversible Latch, 20mm RE FP, 45mm BS (boxed in 5)
1010	432506	Ingenious Duplex 5 Hook Composite Door MPL 20mm with a 35mm gearbox
1143	432524	Ingenious Duplex Composite Door Keep

Standard Composite Locks

Ingenious Part Number	Mila Part Number	Description
1007	432500	Ingenious Professional 3 Hook Composite Door MPL Reversible Latch, 20mm RE FP, 45mm BS (boxed in 5)
1030	432502	Ingenious Professional 3 Hook Composite Door MPL 20mm FP 1007 with a 35mm gearbox
1141-LH	432522	Ingenious Composite Door Centre Keep, Left hand
1141-RH	432523	Ingenious Composite Door Centre Keep, Right hand
1142	432521	Ingenious Professional Composite Door Keep

Autofire Locks

Ingenious Part Number	Mila Part Number	Description
1044	432510	Ingenious Autofire HERITAGE style 3 LATCH Composite door MPL 3x Latches, 20mm FP, 45mm backset PZ92mm lever/lever functionality
1045	432511	Ingenious Autofire STANDARD 4 LATCH Composite door MPL 4xLatches, 20mm RE FP, 45mm back set,PZ92mm lever/lever functionality
11118	432525	Ingenious Autofire Lock Keep with roller technology to suit 48mm Door Slab

Aluminium Door Locks

Ingenious Part Number	Mila Part Number	Description
1031-SPG	432010	Ingenious Duplex MPL, 30mm BS, SPRUNG, 5 Hook, 24mm x 7mm U Channel FP
1182	432116	Ingenious 1PK to suit MPL 1031 (3 pieces)

Packers

Ingenious Part Number	Mila Part Number	Description
1300	432350	1PK Packer to suit Deceuninck/Kommerling/Selecta A70
1301	432351	1PK Packer to suit Profile 22/Swish 24/7
1302	432352	1PK Packer to suit Eurocell Logik
1303	432353	1PK Packer to suit Rehau Tritex & Rehau 706
1305	432354	1PK Packer to suit Spectus Elite 63 & 70
1308	432357	1PK Packer to suit Veka Matrix 58/Liniar/Aluplas
1310	432358	1PK Packer to suit WHS Eclipse & Esthetique
1311	432359	1PK Packer to suit Eurogroove Mullion

Shootbolt Hardware

Ingenious Part Number	Mila Part Number	Description
1127	432470	Ingenious FRENCH DOOR Double ADJ Shoot bolt Keep, 13mm axis
1128	432471	Ingenious FRENCHG DOOR Single ADJ Shoot bolt Keep, 13mm axis
1129	432472	Ingenious SINGLE DOOR Single ADJ shoot bolt keep set (2 Pieces), 13mm axis



Contact the Mila Sales Team:
01327 312 400
sales@mila.co.uk



Ingenious
Locks &
Hardware

together
with  **MILA**



Ingenious
Locks &
Hardware

together
with  **MILA**