

Hero™

TBT Handle

Hardware Essentials to Rely On.

Slim Design · Slide-on Screw Cover Cap ·
TBT and TNT · Locking and Non-Locking ·
Reliable · Fully Suited ·



Hardware that starts with **you**.



Hero™ TBT Handles

Hardware Essentials to Rely On.

Quality without compromise.

Manufactured from a high performance zinc alloy the TBT handle can be used for both tilt first and turn first applications, and is suitable for PVCu, aluminium and timber framing systems.

Our intelligent rose design features a patented slide-on screw cover cap which makes it quick and simple to fit, and is colour matched for enhanced aesthetics.

The ergonomic lever and button assembly is smooth to operate, and location studs concealed within the rose enable positive handle engagement in all 3 positions.

Hero TBT handles are pre-set for tilt first (TBT) operation. By rotating the rose through 180° operation can be changed to turn first (TNT).

At a Glance...

Locking and non-locking variants

3 pin lengths to suit common profile and TBT systems - 30mm, 38mm, 40mm and 55mm.

5 suited finishes - polished gold, polished chrome, smooth satin chrome, white and black

Supplied complete with 2 fixing screws, 1 key and 2 cover caps as standard

Boxed quantities of 20

Corrosion resistance - tested to BSEN 1670 grade 4 (plated finishes) and grade 5 (powder coated finishes)

Meets the enhanced security requirements of PAS 24 and the Police Preferred Specification requirements of Secured by Design.

5 Suited Finishes.



Polished Chrome

Polished Gold

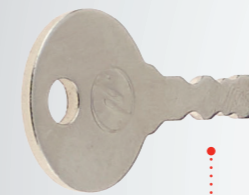
Smooth Satin Chrome

White

Black



'T' Marks the Top
'T' embossed on the rose beneath the screw cap indicates TBT operation when positioned at the 'top'



Lockable
in closed, tilt, and turn positions for added safety



Clever Cover Cap
our patented slide-on design is quick to fit and enhances aesthetics



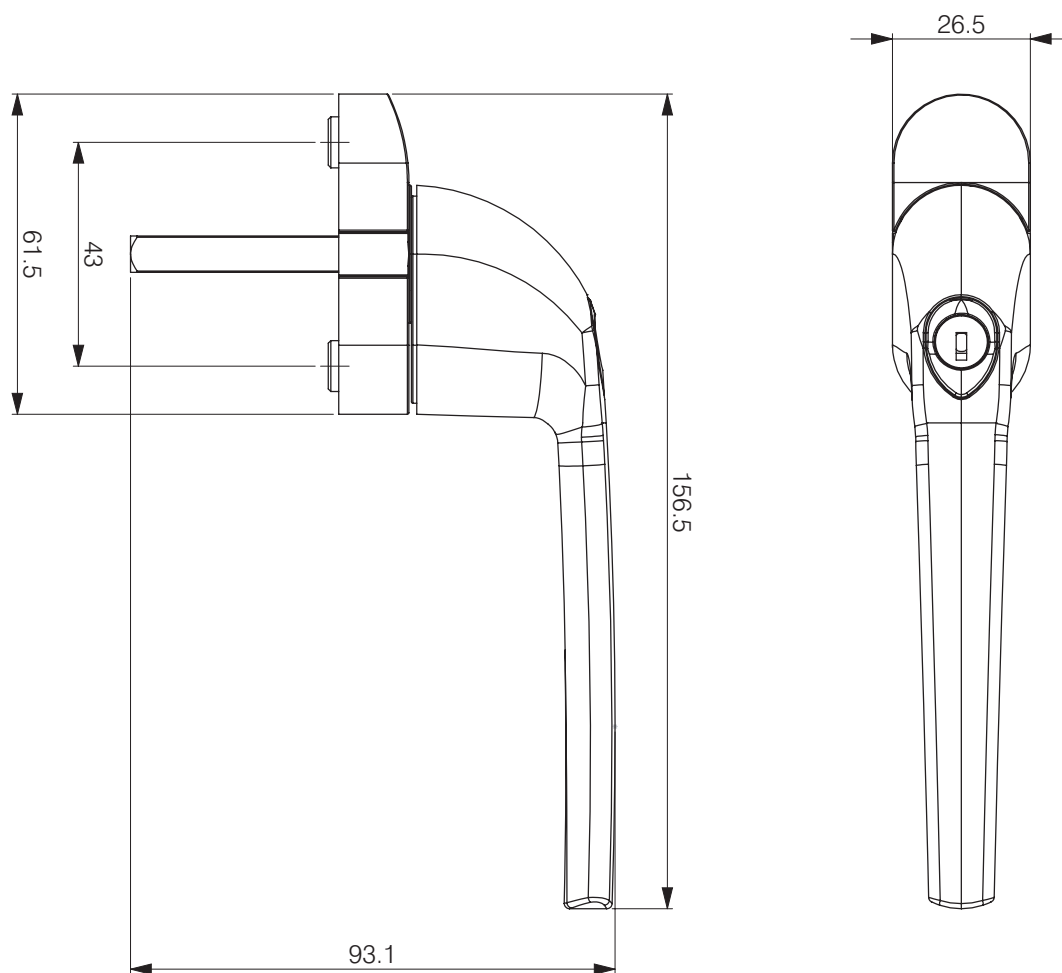
Positive Engagement
in all 3 handle positions



Ergonomic Lever
curved for a comfortable grip



Dimensional Drawings.



Part Numbers.

Description	Pin Length (mm)	Polished Chrome	Polished Gold	Smooth Satin Chrome	Black	White
Hero TBT Locking Handle	30	566801	566804	566802	566807	566808
Hero TBT Locking Handle	38	566821	566824	566822	566827	566828
Hero TBT Locking Handle	43	566841	566844	566842	566847	566848
Cover Cap - Curved (Top)	-	566941	566944	566942	566947	566948
Cover Cap - Flat (Bottom)	-	566961	566964	566962	566967	566968