

# Hero™

## Door Handles

Hardware Essentials to Rely On.

Modern Design · Corrosion Resistant ·  
Strong · Reliable · Fully Suited ·



# Hero™ Door Handles

Hardware Essentials to Rely On.

## Quality without compromise.

Manufactured from a high performance zinc alloy, Hero™ door handles are simple to fit, easy to operate and suitable for PVCu, composite, aluminium and timber doors.

The modern handle design features an ergonomic lever contoured to the shape of your hand. The sprung lever ensures consistent lever return to 90°.

The Hero™ door handle range has been independently tested to 100,00 cycles, as well as a 100kg lever pull test, for guaranteed operational reliability and durability.

## At a Glance...

5 suited finishes - polished gold, polished chrome, smooth satin chrome, white and black

Corrosion resistance - salt spray tested to BSEN 1670 grade 4 for plated finishes and grade 5 for powder coated finishes

Supplied with two spindles, spring cassettes and fixing screws as standard

Lever/ lever and lever/ pad options

## 5 Suited Finishes.



Polished Gold



Polished Chrome



Smooth Satin Chrome



White



Black



Polished Gold



Polished Chrome



Smooth Satin Chrome



White



Black



**Reliable**  
tested to 100,000 cycles

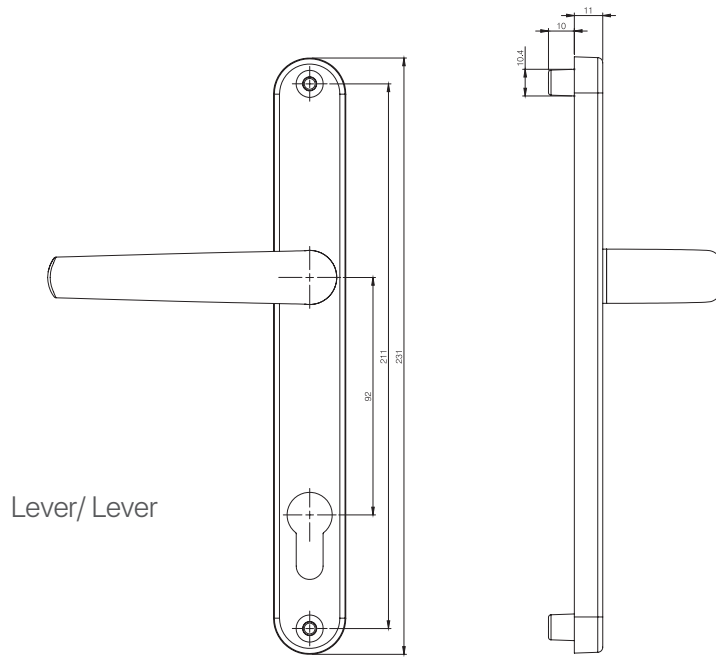
**Strong**  
100kg lever pull test

**Stylish**  
modern design

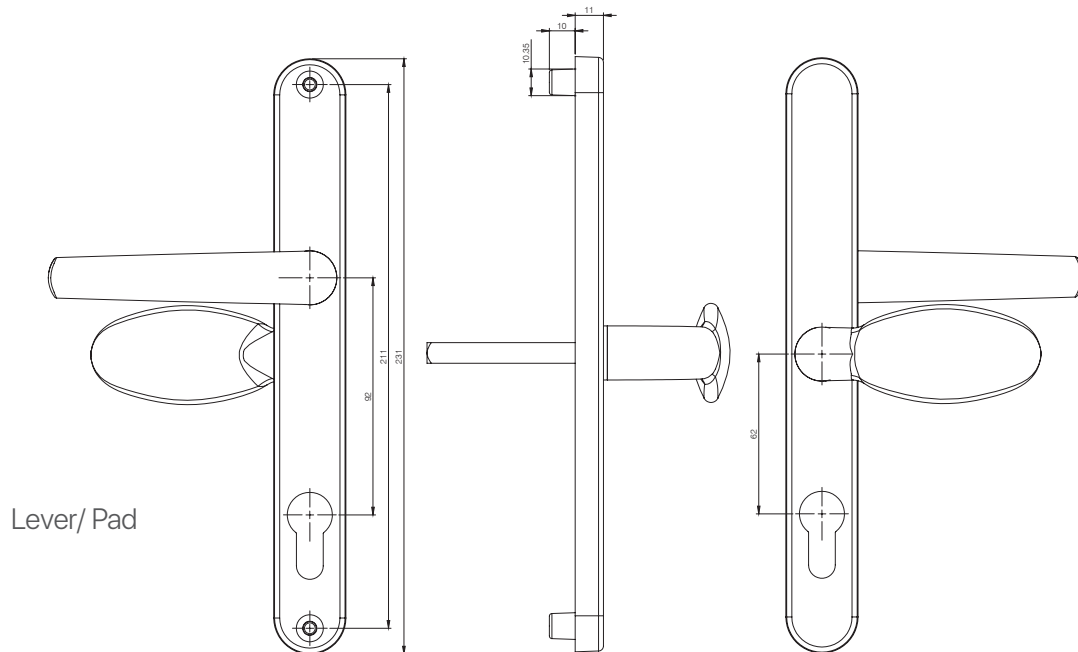
**Ergonomic**  
comfortable rounded lever

**Weather Resistant**  
tested to 480 hours salt spray

## Dimensional Drawings.



Supplied with two spindles, spring cassettes and fixing screws as standard



## Part Numbers.

Description	PZ	Backplate Length	Polished Gold	Polished Chrome	Smooth Satin Chrome	White	Black
Lever/ Lever	92	240mm	050724	050721	050722	050728	050727
Lever/ Pad	92/ 62	240mm	050754	050751	050752	050758	050757

Box Quantity	-	-	20	20	20	20	20
Pallet Quantity	-	-	640	640	640	640	640