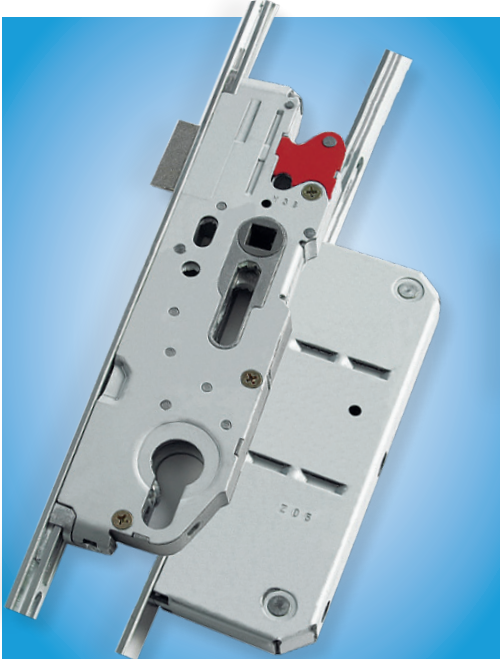


View online now at  
[mila.co.uk](http://mila.co.uk)



## Emergency Exit EDIT

A curated collection of emergency exit hardware for windows and doors.



# ProLinea Inline Espag Handle



## PRODUCT INFORMATION



- Inline lever with finger grips for optimum comfort when in use
- Unique rose design features colour-matched edge-to-edge screw cover cap for enhanced aesthetics
- 90° stop, concealed within the rose, prevents espag gearbox over stressing
- Ergonomic button assembly for smooth, easy operation
- Manufactured from high performance zinc alloy
- Operational reliability - tested to 50,000 cycles at Mila Test Centre
- Corrosion resistant - salt spray tested to 240 hours (plated finishes) and 480 hours (powder coated finishes)
- Meets the enhanced security requirements of PAS24: 2016
- Suites with other Mila window and door furniture
- Community registered design: 001133300-002
- Suitable for PVCu, aluminium and timber applications

## FINISHES



Key plugs easily transform locking handles into push button, green button or non-locking & minimise stock holding



Polished Gold



Polished Chrome



Smokey Chrome



Smooth Satin Chrome



White

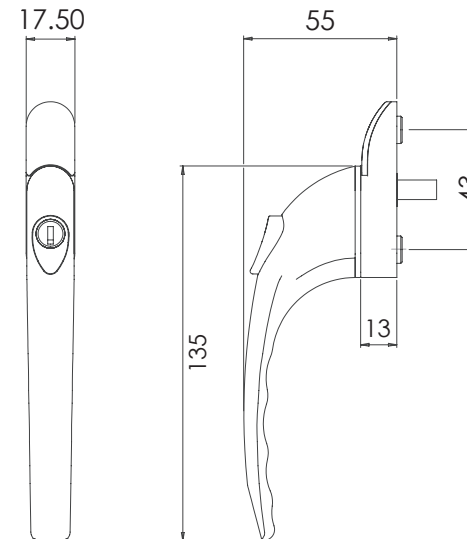


Black

# ProLinea Inline Espag Handle



## TECHNICAL DRAWINGS



## GUARANTEES



## PART NUMBERS

Description	Pin Length (mm)	Polished Gold	Polished Chrome	Smooth Satin Chrome	Smokey Chrome	White	Black
ProLinea Inline Espag Handle	9	581010	581020	581060	581030	581000	581050
ProLinea Inline Espag Handle	12	581011	581021	581061	581031	581001	581051
ProLinea Inline Espag Handle	15	581012	581022	581062	581032	581002	581052
ProLinea Inline Espag Handle	20	581013	581023	581063	581033	581003	581053
ProLinea Inline Espag Handle	25	581015	581025	581065	581035	581005	581055
ProLinea Inline Espag Handle	30	581016	581026	581066	581036	581006	581056
ProLinea Inline Espag Handle	40	581017	581027	581067	581037	581007	581057
ProLinea Inline Espag Handle	55	581018	581028	581068	-	581008	581058
Additional Cover Caps		581891	581892	581896	581893	581890	581895
<b>Accessories</b>	-	<b>Black</b>	<b>Green</b>				
Additional Key x 1	581899	-	-				
Key Plugs x 20		581881	581882				



# iDeal Egress Friction Hinge

Emergency exit



# iDeal Egress Friction Hinge

Emergency exit



## PRODUCT INFORMATION

Green colour-coded end cap for easy 'emergency exit' recognition



"For emergency egress any window should have an unobstructed openable area that is at least 0.33m<sup>2</sup> and at least 450mm high and 450mm wide"

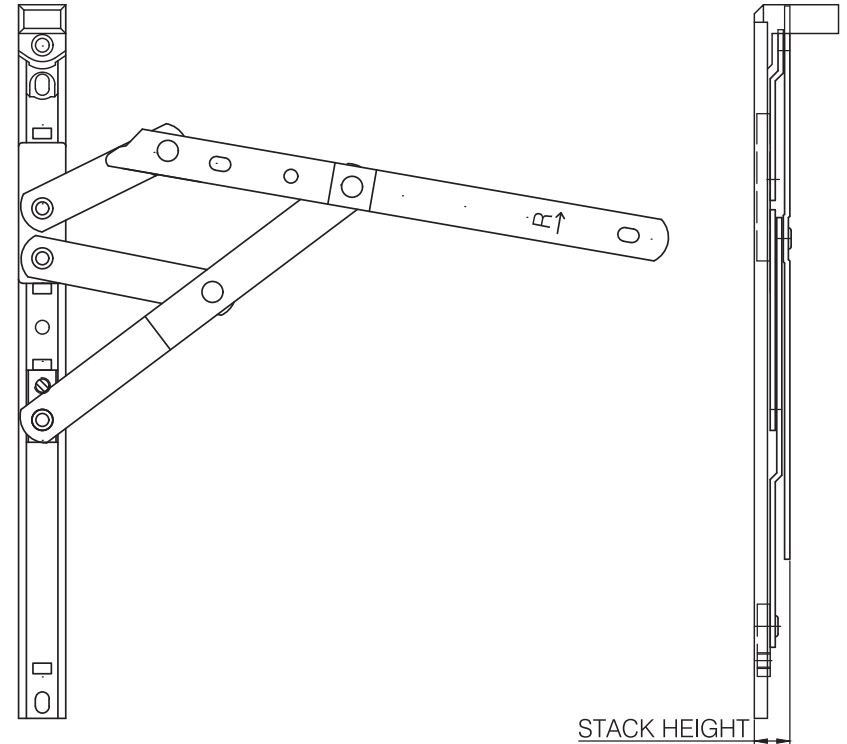
- Approved Document B

- Enables casement windows to satisfy the emergency egress requirements of Approved Document B of the Building Regulations
- Green colour-coded nylon end cap for easy 'emergency exit' recognition, handed
- Almost 90° opening for easy egress
- Manufactured from Ferritic (430) stainless steel
- Stack heights - 13mm, 17mm
- Suitable for side hung applications
- Sizes - 10", 12" or 16"
- Recommended maximum sash weight - 22 kg
- Operational reliability - cycle tested to 20,000 cycles
- Weather resistance - tested to BSEN 1670 Grade 4, achieving 240 hours salt spray
- Police Preferred Specification - Secured by Design accredited used in conjunction with iDeal casement hinge protector. See page 353.

## GUARANTEES & COMPLIANCE



## TECHNICAL DRAWINGS



## PART NUMBERS

Description	Size (")	Opening (°)	Width (mm)	Height (mm)	Weight (kg)	13mm Stack Height	17mm Stack Height
Side Hung	10	80	450	1300	12	022680	022690
Side Hung	12	84	600	1300	16	022682	022692
Side Hung	16	88	700	1300	22	022686	022696

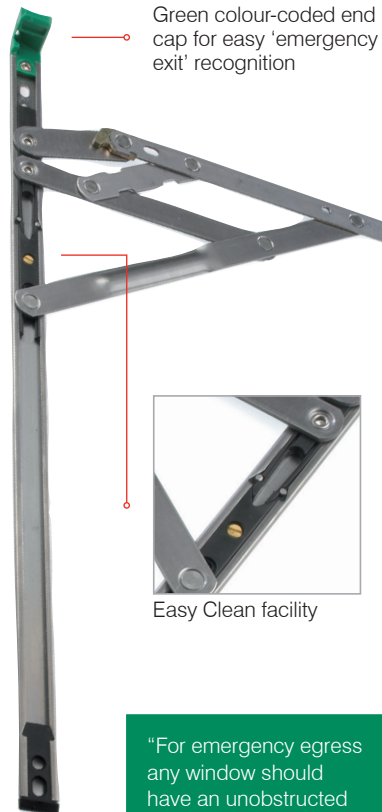


# iDeal Egress Easy-Clean

Emergency exit & easy-clean facility



## PRODUCT INFORMATION



Green colour-coded end cap for easy 'emergency exit' recognition

Easy Clean facility

"For emergency egress any window should have an unobstructed openable area that is at least 0.33m<sup>2</sup> and at least 450mm high and 450mm wide"

- Approved Document B

- Enables casement windows to satisfy the emergency egress requirements of Approved Document B of the Building Regulations
- Easy-clean facility enables sash to be moved to the opposite side of the frame for easy cleaning of external window pane
- Manufactured from Ferritic (430) stainless steel
- Green colour-coded nylon end cap for easy 'emergency exit' recognition, handed
- Almost 90° opening for easy egress
- Suitable for side hung applications
- Stack heights - 13mm, 17mm
- Side hung sizes - 12" or 16"
- Side hung recommended maximum sash weight - 21 kg
- Operational reliability - cycle tested to 20,000 cycles
- Weather resistance - tested to BSEN 1670 Grade 4, achieving 240 hours salt spray
- Police Preferred Specification - Secured by Design accredited used in conjunction with iDeal casement hinge protector. See page 353.

## GUARANTEES

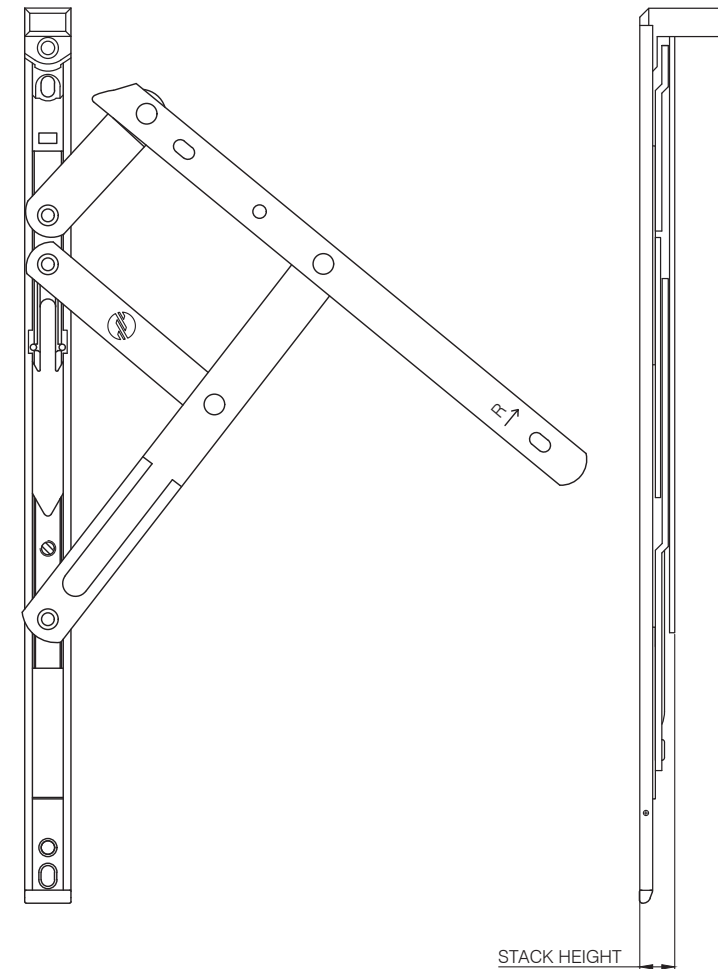


# iDeal Egress Easy-Clean

Emergency exit & easy-clean facility



## TECHNICAL DRAWINGS



## PART NUMBERS

Description	Size (")	Opening (°)	Width (mm)	Height (mm)	Weight (kg)	13mm Stack Height	17mm Stack Height
Side Hung	12	80	600	1300	15	022712	022732
Side Hung	16	88	700	1300	21	022716	022736

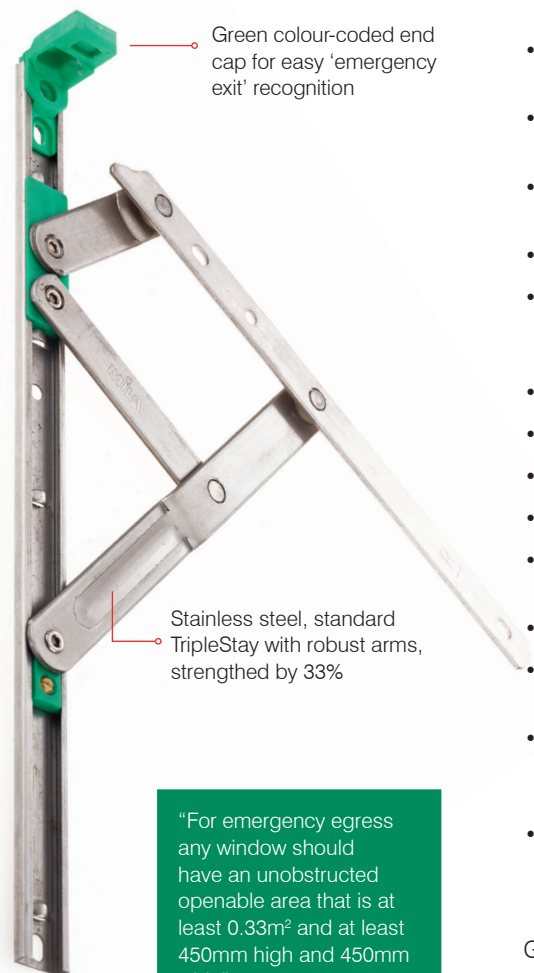


# Heavy Duty Egress

Emergency exit hinge for triple glazed windows & wide side hung windows



## PRODUCT INFORMATION



Green colour-coded end cap for easy 'emergency exit' recognition

Stainless steel, standard TripleStay with robust arms, strengthened by 33%

"For emergency egress any window should have an unobstructed openable area that is at least 0.33m<sup>2</sup> and at least 450mm high and 450mm wide"

- Approved Document B

- For use with triple glazing in standard profile systems and wide side hung sashes
- Meets the emergency egress requirements of Approved Document B
- Can be fitted to a standard 16mm track without any modifications to the profile
- 33% stronger than a standard side hung friction stay
- Manufactured from Ferritic (430) stainless steel
- Supports the additional weight of triple glazed units in their frames whilst maintaining smooth operation
- Stack heights - 14mm, 17mm
- Sizes - 10", 12", 16"
- 40kg maximum sash weight
- 900mm maximum rebate width
- Weather resistance - tested to BSEN 1670 Grade 4, achieving 240 hours salt spray
- Mechanical load tested to BS6375-2
- Independently tested to PAS24: 2012 with iDeal casement hinge protector
- Police Preferred Specification - Secured by Design accredited used in conjunction with iDeal casement hinge protector. See page 353.
- Also available in standard and egress easy-clean versions

## GUARANTEES

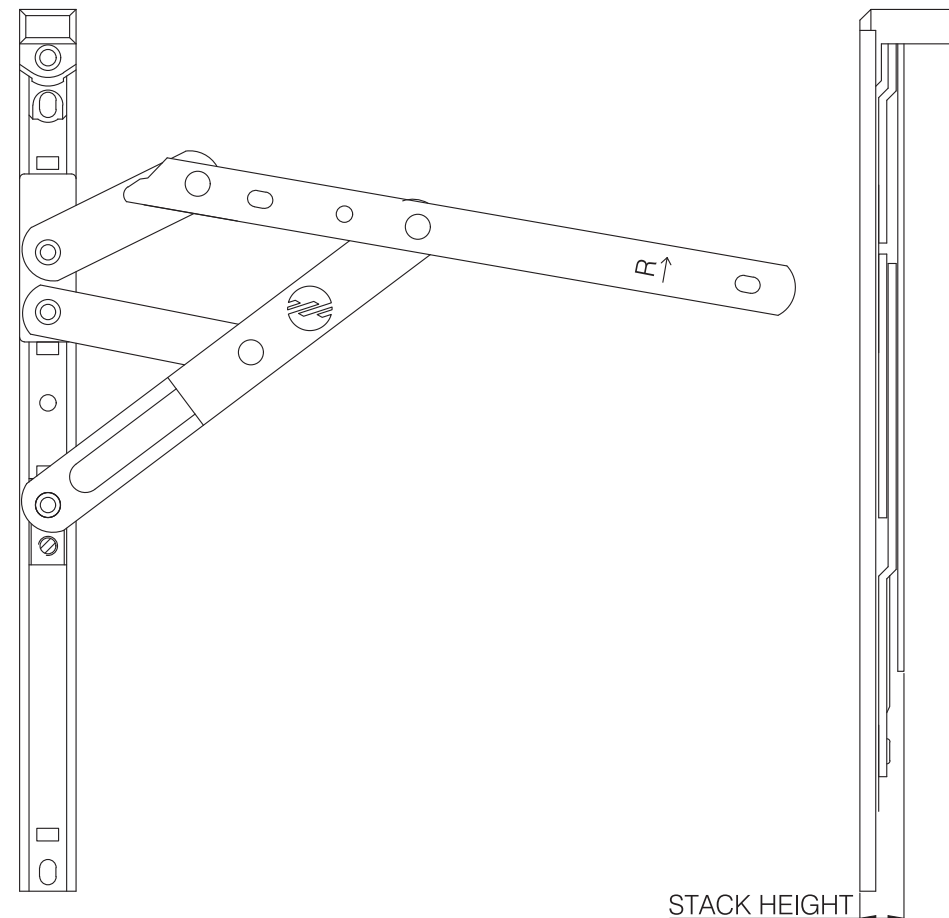


# Heavy Duty Egress

Emergency exit hinge for triple glazed windows & wide side hung windows



## TECHNICAL DRAWINGS



## PART NUMBERS

Description	Size (")	Opening (°)	Width (mm)	Height (mm)	Weight (kg)	14mm Stack Height	17mm Stack Height
Egress	10	80 (+/- 2)	500	1300	20	022850	022860
Egress	12	84 (+/- 2)	700	1300	30	022852	022862
Egress	16	88 (+/- 2)	900	1300	40	022856	022866



# Heavy Duty Egress Easy-Clean



Emergency exit & easy-clean for triple glazed windows

## PRODUCT INFORMATION



Release mechanism shown in closed and easy-clean positions, re-engages automatically

- Suitable for use with triple glazing in standard profile systems and wide side hung sashes
- Meets the emergency egress requirements of Approved Document B
- Easy-clean facility enables sash to be moved to the opposite side of the frame for easy cleaning of external window pane
- Can be fitted to a standard 16mm track without any modifications to the profile
- 33% stronger than a standard side hung friction stay
- Manufactured from stainless steel
- Supports the additional weight of triple glazed units in their frames whilst maintaining smooth operation
- Stack heights - 14mm, 17mm

- Sizes - 12", 16"
- 40kg maximum sash weight
- 900mm maximum rebate width
- Independently tested to PAS24: 2012
- Weather resistance - tested to BSEN 1670 Grade 4, achieving 240 hours salt spray
- Mechanical load tested to BS6375-2
- Police Preferred Specification - Secured by Design accredited when used with iDeal casement hinge protector. See page 353.

## GUARANTEES



"For emergency egress any window should have an unobstructed openable area that is at least 0.33m<sup>2</sup> and at least 450mm high and 450mm wide"

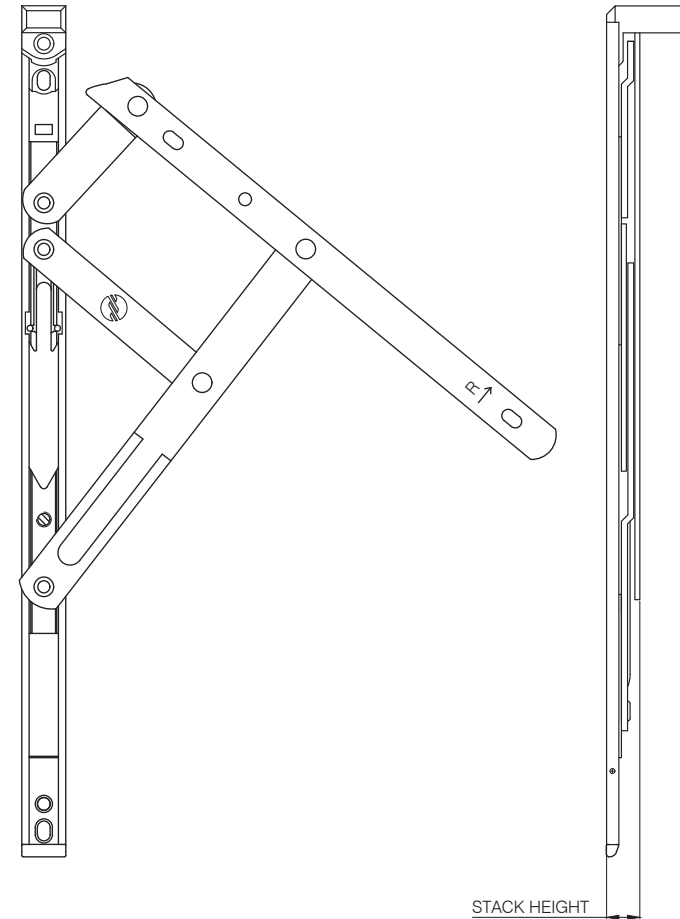
- Approved Document B

# Heavy Duty Egress Easy-Clean

Emergency exit & easy-clean for triple glazed windows



## TECHNICAL DRAWINGS



## PART NUMBERS

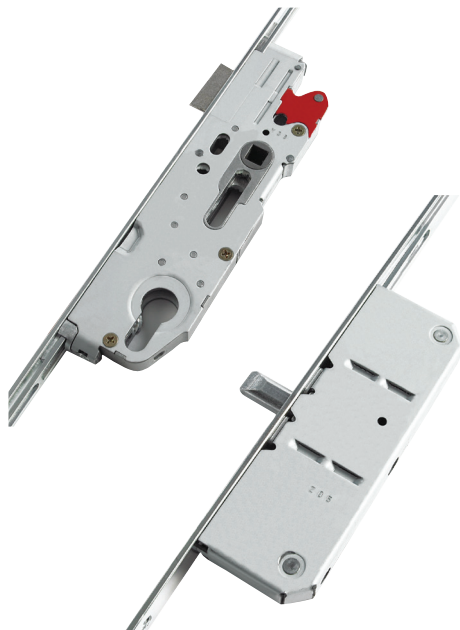
Description	Size (")	Opening (°)	Width (mm)	Height (mm)	Weight (kg)	14mm Stack Height	17mm Stack Height
Side Hung	12	80	700	1300	30	022872	022882
Side Hung	16	88	900	1300	40	022876	022886



# Pin Panic Lock

For Emergency Exit

## PRODUCT INFORMATION



- Combines enhanced security with emergency exit technology for both single and double doors
- Multipoint locking system
- 2 pins and deadbolt for security
- Pins throw 20mm
- Reversible latch to suit both left and right handed doors
- Anti-saw deadbolt
- Panic bar
- Tested and certified to EN 1125, European standard for Panic Exit Devices
- BS EN 1125 classification: 37601322A
- Kits available for both single and double doors
- Suitable for use on PVCU, timber and aluminium doors
- Internal operation via panic bar
- Panic bar finished in exit green
- External access kit available
- For all applications door will always open from inside to allow emergency egress

## MATERIAL SPECIFICATION

### Single Doors Rebate Size

Minimum Width 700mm  
Maximum Width 2400mm

### Double Doors Rebate Size

Minimum Width 1600mm  
Maximum Width 2400mm

### Single Door/Primary Leaf Specification

35mm backset multipoint lock featuring 2 pins with 20mm throw, reversible latch and deadbolt

### Secondary Door Specification

35mm backset secondary door lock with shootbolts top and bottom

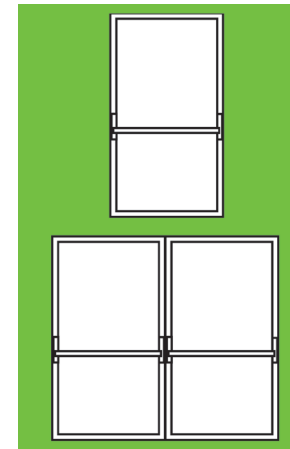
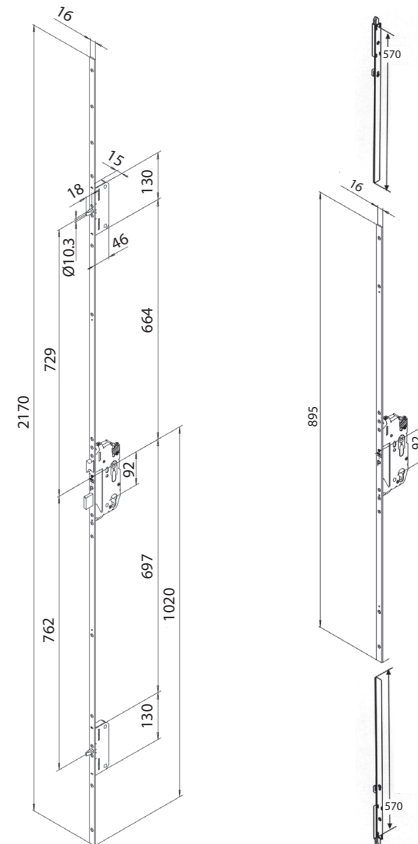


# Pin Panic Lock

For Emergency Exit



## TECHNICAL DRAWINGS



Single & double door kits available

## PART NUMBERS

Description	Part Numbers
Primary/Single Door	043870
Secondary Door	043875
External Access Kit	043880
Door Kit	PINMASTER
Door Kit	PINSLAVE

## GUARANTEE





# Surface Mounted Panic Lock

For Emergency Exit

## PRODUCT INFORMATION



- Multipoint locking system with surface mounted panic bar kit
- Kits available for both single and double doors
- Single door features 3 horizontal locking bolts
- Double door features 3 horizontal locking bolts on primary leaf and twin vertical bolts on secondary leaf
- Tested and certified to EN 1125, European standard for Panic Exit Devices
- BS EN 1125 classification: 37601322A
- Internal operation via panic bar
- External access kit available



Single Door Kit



Double Door Kit

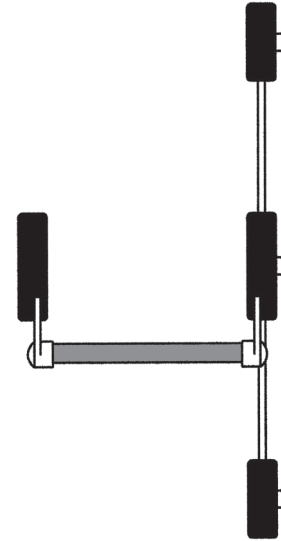
# Surface Mounted Panic Lock

For Emergency Exit

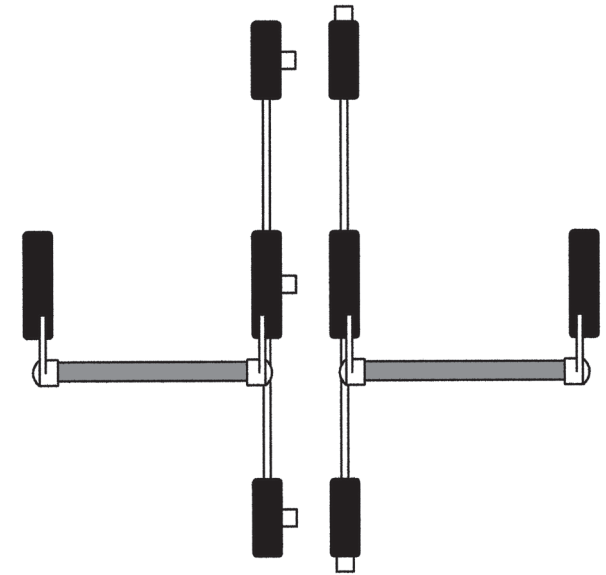


## TECHNICAL DRAWINGS

Single Door Kit



Double Door Kit



## PART NUMBERS

### Description

- Primary Panic Door Kit
- Secondary Panic Door Kit
- External Access Handle - including Cylinder
- Panic Door Push Pad

### Part Numbers

- 043961
- 043971
- 043980
- 043983

## GUARANTEE





## Contact Mila

T. 01327 312 400

E. [sales@mila.co.uk](mailto:sales@mila.co.uk)

W. [mila.co.uk](http://mila.co.uk)

A. 1 Brunel Close | Drayton Fields Industrial Estate | Daventry |  
Northamptonshire | NN11 8RB