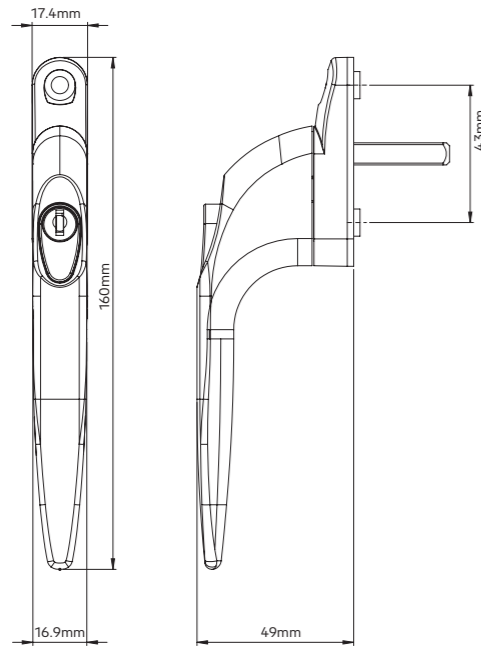
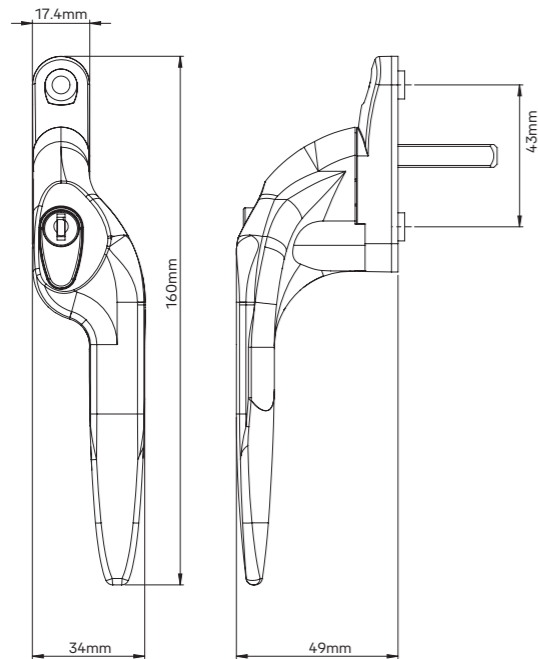


Technical Illustrations



Inline



Offset



BS EN 1670
British Standards Institute accredited anti-corrosion performance



10 Year Mechanical Guarantee
Delivering peace of mind from the world's favourite lock company



10 Year Surface Finish Guarantee
All of our products are designed to withstand all types of weather conditions with anti-corrosion coatings, ensuring high performance all year round



Lifetime Security Guarantee**
All products in our Quartus Espag Handle range are included within our Lifetime Security Guarantee scheme, providing your customers with numerous benefits and peace of mind

THE YALE BRAND, with its unparalleled global reach and range of products, reassures more people in more countries than any other consumer locking solution.

THE ASSA ABLOY GROUP is the world's leading manufacturer and supplier of locking solutions, dedicated to satisfying end-user needs for security, safety and convenience.

Yale DWS
School Street, Willenhall, West Midlands
WV13 3PW, UK
T: 01902 366800 F: 01902 369041
www.yaledws.co.uk

February 2021 Yale©

Due to a continuous programme of development the company reserves the right to make alterations without notice. (Products which are not a stocked item will be subject to a longer lead time which needs to be agreed with your Yale representative).

*Other spindle lengths are available upon request.
**Terms and conditions apply.
Please see yaledws.co.uk for further details.



Quartus Espag Handle.
Aesthetically pleasing
without compromising
on quality.

Maintenance	Yale recommends that the Yale Quartus Espag handle is surface cleaned with a damp cloth only and kept free of dirt
Material	Zinc Alloy and Aluminium Alloy
Packaging	Plastic parts – Nylon 66, UV stabilised ABS and Acetal



The ideal choice for aluminium and uPVC windows.

The Yale Quartus Espag handle offers homeowners the ultimate solution with its aesthetically pleasing design and user-friendly functionality, making it the ideal choice for aluminium and uPVC windows.

Available in inline and offset variants as well as a wide range of finishes, this handle has been designed, developed and tested in the UK to Yale's precise standards and high-performance security.



Features

- ▶ Push to unlatch Yale branded mechanism
- ▶ Key operated locking mechanism
- ▶ Key deadlocking for added security and safety
- ▶ Non-locking push to unlatch version in Black, White and Green for egress applications available
- ▶ Aesthetically pleasing as part of the suited range of window hardware
- ▶ Available in inline and offset variants
- ▶ Available in Satin Black, Chrome, Champagne Gold, Silver and White finishes
- ▶ Fixed spindle as standard
- ▶ Available with a variety of spindle lengths ranging from 10mm - 75mm to accommodate a wide range of window profiles*
- ▶ Supplied with screws, colour matched screw caps and cylinder plug to achieve a non-locking solution
- ▶ Supplied with Yale branded key
- ▶ Spare keys and screw cover caps available upon request



10 year mechanical guarantee



10 year surface finish guarantee



Tested to BS EN 1670:2007 Grade 4 (240hrs. NSST)



Tested to BS 6375 Part 2 (Classification EN 12400) Class - 20,000 cycles



Lifetime security guarantee when used with other Yale security hardware*



Trusted every day